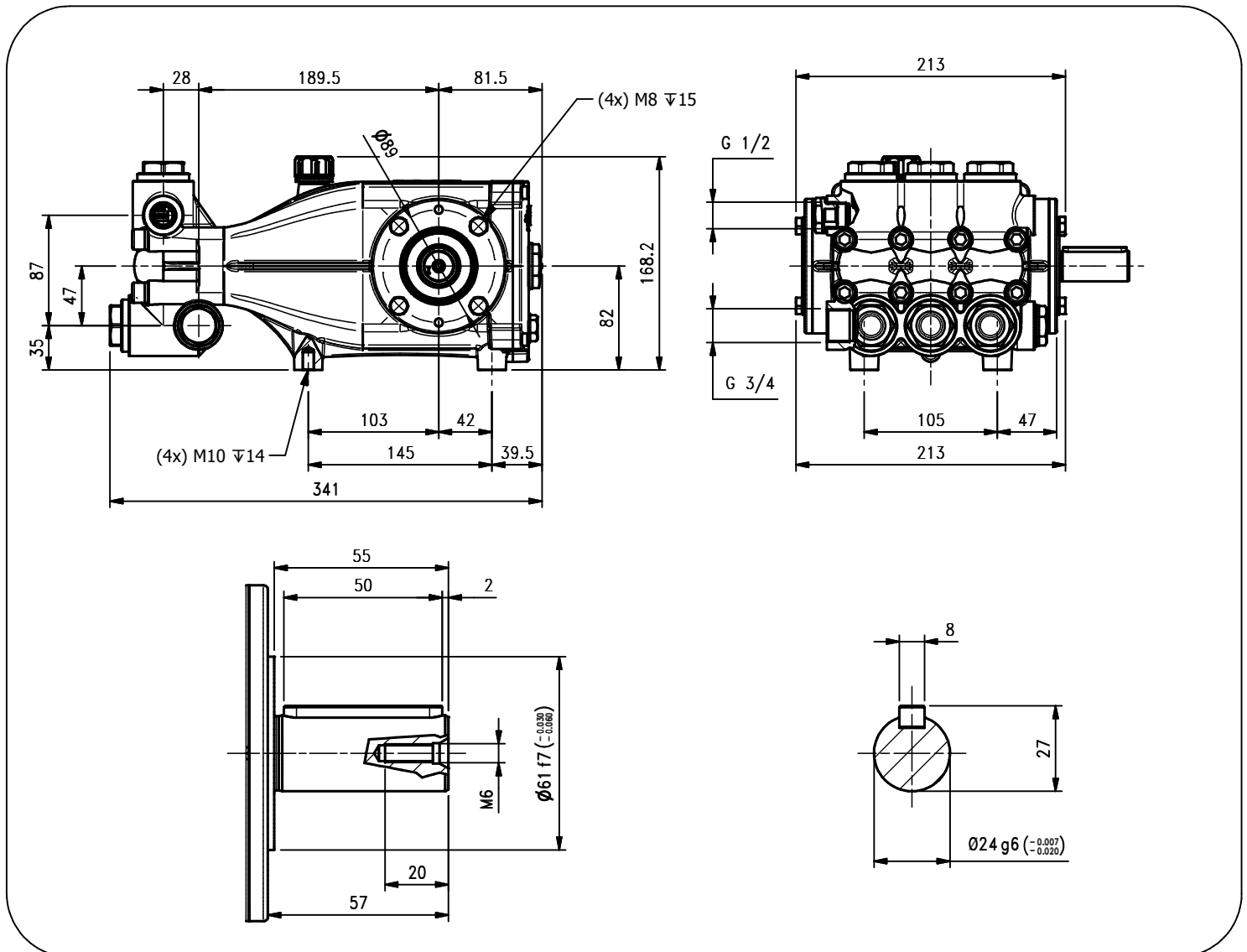


Pump Pompa	Pressure Pressione		Volume Portata				RPM giri/min		Power Potenza			
			l/min		GPM				HP		kW	
	bar	PSI	50 Hz	60 Hz	50 Hz	60 Hz	50 Hz	60 Hz	50 Hz	60 Hz	50 Hz	60 Hz
XLT2720HTI	200	2900	27	32	7.1	8.6	1450	1740	13.7	16.4	10.1	12.1
XLT3020HTI	200	2900	30	36	7.9	9.5	1450	1740	15.3	18.4	11.3	13.6
XLT3320HTI	200	2900	33	40	10.6	12.7	1450	1740	16.9	20.3	12.5	15
XLT4217HTI	170	2465	42	50	11.2	13.4	1450	1740	18.5	22.2	13.6	16.3

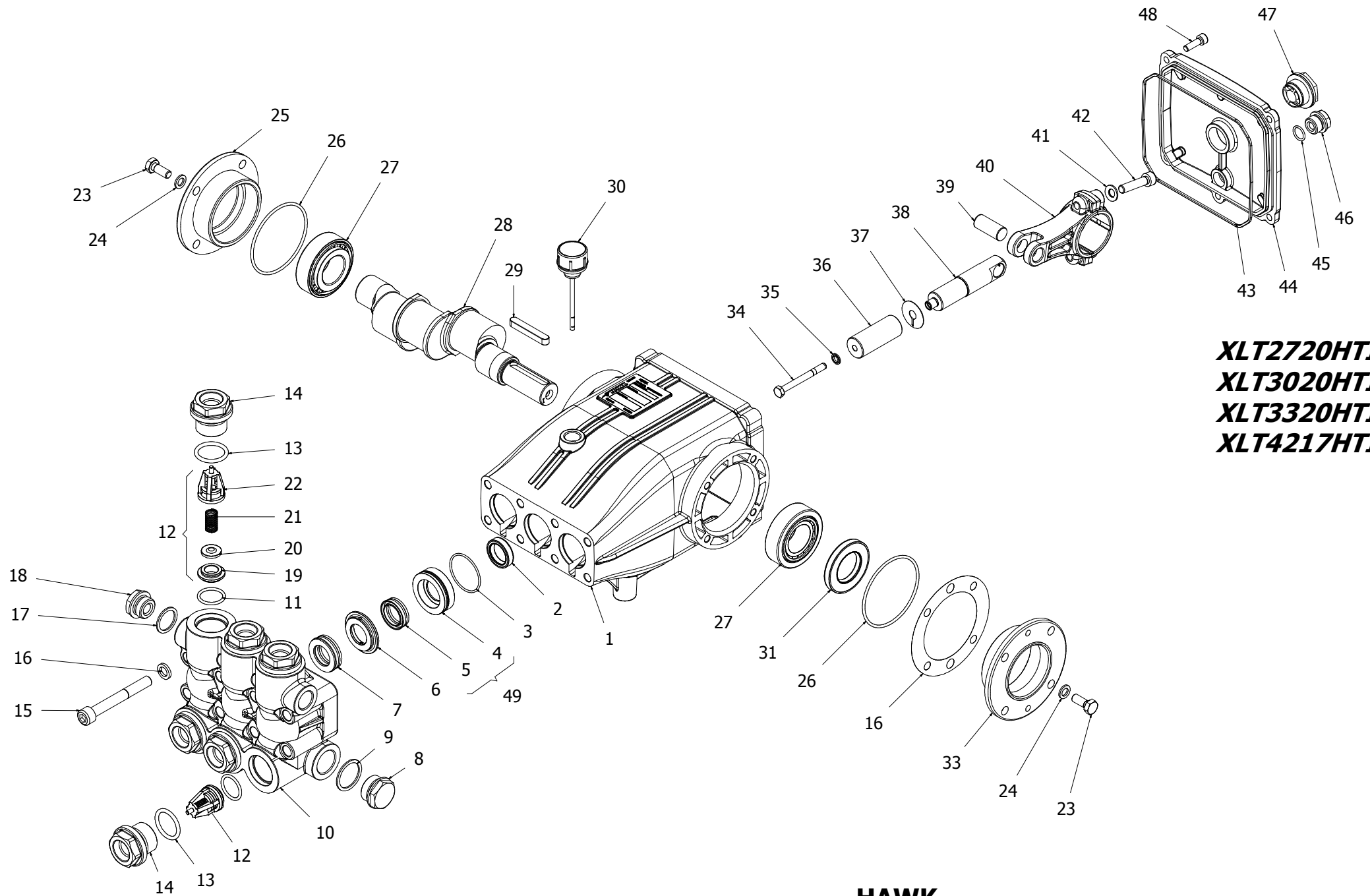
Dimensioni d'ingombro

Overall dimensions



Lubrificazione: Olio SAE 10W40  
Capacità: 1.2 Litri  
Peso pompa: 17.2 Kg

Lubrication: SAE 10W40 Oil  
Capacity: 1.2 Litres  
Weight: 17.2 Kg



***XLT2720HTI***  
***XLT3020HTI***  
***XLT3320HTI***  
***XLT4217HTI***

**HAWK**  
**Pompe XLT HT I serie 2012**  
**XLT HT I pumps 2011 series**

**SPARE PARTS KIT**

**XLT HT 2012**

Item	Part Number & Description	Q.ty Pump	XLT2720HTI	XLT3020HTI	XLT3320HTI	XLT4217HTI
3x (3- 7- 49)	2601.37 Plunger Seals HT 22 mm	1	◆	◆	◆	◆
3- 6- 7- 49	2601.36 Complete seal Packing HT 22 mm	3	◆	◆	◆	◆
34- 35- 36- 37	2601.29 Plunger 22 mm	3	◆	◆	◆	◆
11- 12- 13	2601.31 Complete Valve	6	◆	◆	◆	◆
2	2600.03 Plunger oil Seal	1	◆	◆	◆	◆
3- 6- 7- 8 9- 10 11- 12 13- 14- 15- 16 17- 18- 49	2601.11 Complete Manifold HT 22 mm	1	◆	◆	◆	◆
38- 39- 40- 41- 42	3100.43 Connectin Rod-Plunger Rod Assy	3	◆	◆	◆	◆

**PARTS LIST**

Item	Part Number	Description	Q.ty/Pu mp	XLT2720HTI	XLT3020HTI	XLT3320HTI	XLT4217HTI
*1	0202.97	Crankcase	1				
*2	0001.01	Plunger oil seal	3				
*3	0601.08	"O" Ring Ø1.78x37.82	3				
4	1201.72	Pressure ring 22 mm	3				
5	0002.80	"U" seal, dia.22 mm	3				
*6	0300.92	Intermed. ring 22mm	3				
*7	0002.79	"U" seal, dia.22 mm	3				
*8	1601.78	Brass plug G3/4	1				
*9	0603.11	Copper washer 3/4	1				
*10	1602.50	Manifold housing Ø22/Ø20	1				
*11	0601.18	"O" Ring Ø2,62x21,89	6				
*12	3604.76	Valve assembly	6				
*13	0601.87	"O" Ring Ø3,53x25,80-134	6				
*14	1601.77	Valve plug	6	◆	◆	◆	◆
*15	1801.40	Manifold stud bolt	8				
*16	1403.01	Lock-Washer	8				
*17	0603.07	Copper washer 1/2	1				
*18	1601.51	Brass plug 1/2	1				
19	1503.40	Valve seat	6				
20	1202.08	Valve plate	6				
21	0900.32	Valve spring	6				
22	0604.06	Valve cage	6				
23	1802.05	Hexagonal screw	8				
24	1400.01	Washer	8				
25	0500.54	Closed bearing housing	1				
26	0601.00	"O" Ring Ø2.62x71.12	2				
27	0200.04	Roller bearing	2				

## XLT HT 2012

<b>28</b>	0006.47	Crankshaft Ø24	1				◆
	0006.37	Crankshaft Ø24	1	◆			
	0006.38	Crankshaft Ø24	1		◆		
	0006.36	Crankshaft Ø24	1			◆	
<b>29</b>	0206.05	Crankshaft key	1				
<b>30</b>	1600.16	Oil dip stick	1				
<b>31</b>	0001.00	Crankshaft seal	1				
<b>32</b>	0301.00	Shim	1				
<b>33</b>	0500.38	Bearing housing	1				
<b>*34</b>	1802.23	Plunger bolt	3				
<b>*35</b>	1408.13	Bonded seal	3				
<b>*36</b>	1200.34	Plunger 22 mm	3				
<b>*37</b>	1400.57	Copper spacer	3				
<b>*38</b>	0003.32	Plunger rod	3				
<b>*39</b>	1502.07	Connecting rod pin	3	◆	◆	◆	◆
<b>*40</b>	0100.10	Connecting rod	3				
<b>*41</b>	1401.03	Spring washer	6				
<b>42</b>	1801.01	Connecting rod screw	6				
<b>43</b>	0601.85	"O" Ring Ø2,62x152,07	1				
<b>44</b>	0203.60	Crankcase cover	1				
<b>45</b>	0601.14	"O" Ring Ø1,78x14,00	1				
<b>46</b>	1601.17	Brass plug 3/8	1				
<b>47</b>	0700.05	Sight glass, G3/4	1				
<b>48</b>	1801.41	Cover screw	5				
<b>49</b>	3604.78	Low pressure seal assembly	3				

		<b>Part available in kit only</b>
*		<b>Part available in kit also</b>

Posizioni	Codice e Descrizione	Q.tà Pompa	XLT2720HTI	XLT3020HTI	XLT3320HTI	XLT4217HTI
<b>3x (3- 7- 49)</b>	2601.37 <i>Guarnizioni pistone HT Ø22</i>	1	◆	◆	◆	◆
<b>3- 6- 7- 49</b>	2601.36 <i>Pacco completo Guarnizioni HT pistone Ø22</i>	3	◆	◆	◆	◆
<b>34- 35- 36- 37</b>	2601.29 <i>Pistone Ø22</i>	3	◆	◆	◆	◆
<b>11- 12- 13</b>	2601.31 <i>Valvola completa</i>	6	◆	◆	◆	◆
<b>2</b>	2600.03 <i>Anelli tenuta olio Asta</i>	1	◆	◆	◆	◆
<b>3- 6- 7- 8 9- 10- 11- 12 13- 14- 15- 16 17- 18- 49</b>	2601.11 <i>Testata Completa HT Ø22</i>	1	◆	◆	◆	◆
<b>38- 39- 40- 41- 42</b>	3100.43 <i>Premontato asta-biella</i>	3	◆	◆	◆	◆

## LISTA PARTI

Pos.	Codice	Descrizione	Q.tà/Po mpa	XLT2720HTI	XLT3020HTI	XLT3320HTI	XLT4217HTI
*1	0202.97	Carter	1				
*2	0001.01	Anello radiale	3				
*3	0601.08	"O" Ring Ø1.78x37.82	3				
4	1201.72	Pressore Ø22	3				
5	0002.80	Anello tenuta "U" Ø22	3				
*6	0300.92	Diffusore interm. Ø22	3				
*7	0002.79	Anello tenuta "U" Ø25	3				
*8	1601.78	Tappo G3/4 nichelato	1				
*9	0603.11	Guarnizione rame G3/4	1				
*10	1602.50	Testata nichelata Ø22/Ø20	1				
*11	0601.18	"O" Ring Ø2,62x21,89	6				
*12	3604.76	Valvola premontata	6				
*13	0601.87	"O" Ring Ø3,53x25,80	6				
*14	1601.77	Tappo valvola nichelato	6	◆	◆	◆	◆
*15	1801.40	Vite M10x80	8				
*16	1403.01	Rosetta elastica Ø10,2	8				
*17	0603.07	Guarnizione rame G1/2	1				
*18	1601.51	Tappo G1/2 nichelato	1				
19	1503.40	Sede valvola	6				
20	1202.08	Piattello valvola	6				
21	0900.32	Molla valvola	6				
22	0604.06	Gabbia valvola	6				
23	1802.05	Vite M8x20	8				
24	1400.01	Rosetta Ø8.5	8				
25	0500.54	Flangia chiusa	1				
26	0601.00	"O" Ring Ø2.62x71.12	2				
27	0200.04	Cuscinetto a rulli	2				

## XLT HT 2012

<b>28</b>	0006.47	Albero eccentrico Ø24	1				◆				
	0006.37	Albero eccentrico Ø24	1	◆							
	0006.38	Albero eccentrico Ø24	1		◆						
	0006.36	Albero eccentrico Ø24	1			◆					
<b>29</b>	0206.05	Chiavetta	1								
<b>30</b>	1600.16	Tappo livello olio	1								
<b>31</b>	0001.00	Anello radiale	1								
<b>32</b>	0301.00	Distanziale	1								
<b>33</b>	0500.38	Flangia aperta	1								
<b>*34</b>	1802.23	Vite pistone	3								
<b>*35</b>	1408.13	Bonded Seal	3								
<b>*36</b>	1200.34	Pistone Ø25	3								
<b>*37</b>	1400.57	Rosetta rame	3								
<b>*38</b>	0003.32	Asta pistone	3								
<b>*39</b>	1502.07	Spinotto	3					◆	◆	◆	◆
<b>*40</b>	0100.10	Biella completa	3								
<b>*41</b>	1401.03	Rosetta elastica Ø8	6								
<b>42</b>	1801.01	Vite M8x35	6								
<b>43</b>	0601.85	"O" Ring Ø2,62x152,07	1								
<b>44</b>	0203.60	Coperchio	1								
<b>45</b>	0601.14	"O" Ring Ø1,78x14,00	1								
<b>46</b>	1601.17	Tappo G3/8	1								
<b>47</b>	0700.05	Spia livello olio G3/4	1								
<b>48</b>	1801.41	Vite M6x20	5								
<b>49</b>	3604.78	Premontato tenute bassa pressione	3								

		<b>Particolare disponibile solo in kit</b>
*		<b>Particolare disponibile anche in kit</b>