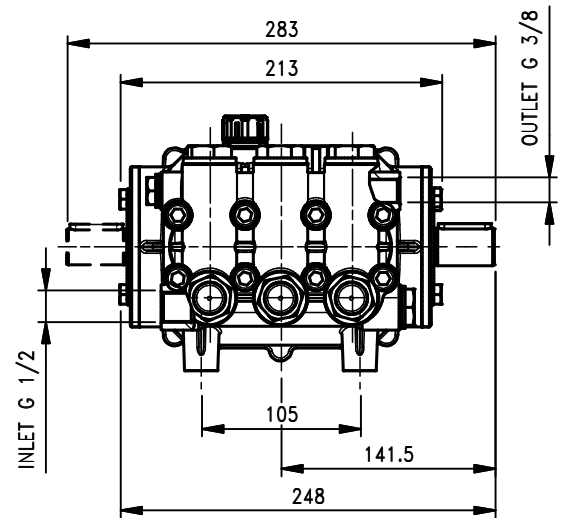
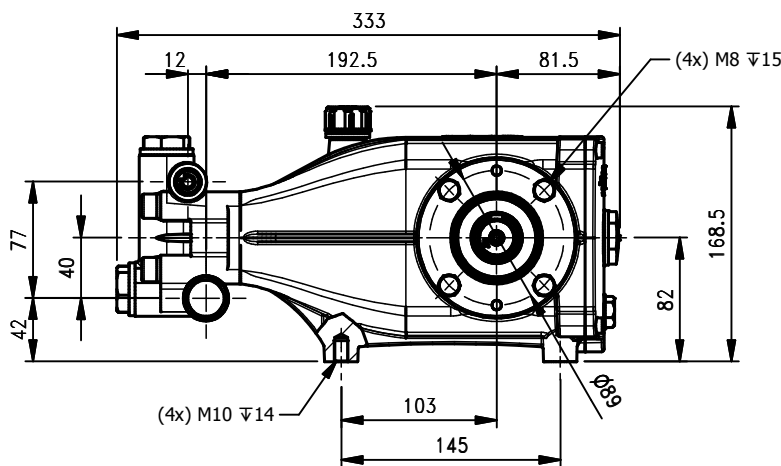


Pump Pompa	Pressure Pressione		Volume Portata				RPM giri/min		Power Potenza			
			l/min		GPM				HP		kW	
	bar	PSI	50 Hz	60 Hz	50 Hz	60 Hz	50 Hz	60 Hz	50 Hz	60 Hz	50 Hz	60 Hz
NLT2525S	250	3625	25	30	6.6	7.9	1000	1200	16.0	19.2	11.8	14.2
NLT2525	250	3650	25	30	6.6	7.9	1450	1740	16.1	19.3	11.9	14.3

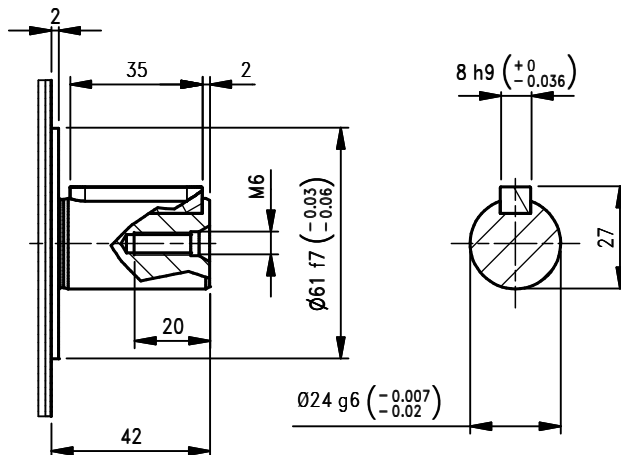
NLT2525IS	250	3650	25	30	6.6	7.9	1000	1200	16.0	19.2	11.8	14.2
NLT1725I	250	3650	17	20	4.5	5.4	1450	1740	11.0	13.2	8.1	9.7
NLT2125I	250	3650	21	25	5.6	6.7	1450	1740	13.5	16.2	9.9	11.9
NLT2525I	250	3650	25	30	6.6	7.9	1450	1740	16.1	19.3	11.9	14.3
NLT3020I	200	2900	30	36	7.9	9.5	1450	1740	15.5	18.6	11.4	13.7

Dimensioni d'ingombro

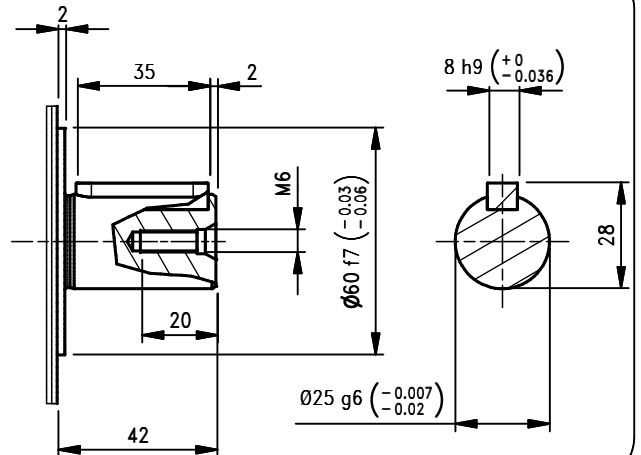
Overall dimensions

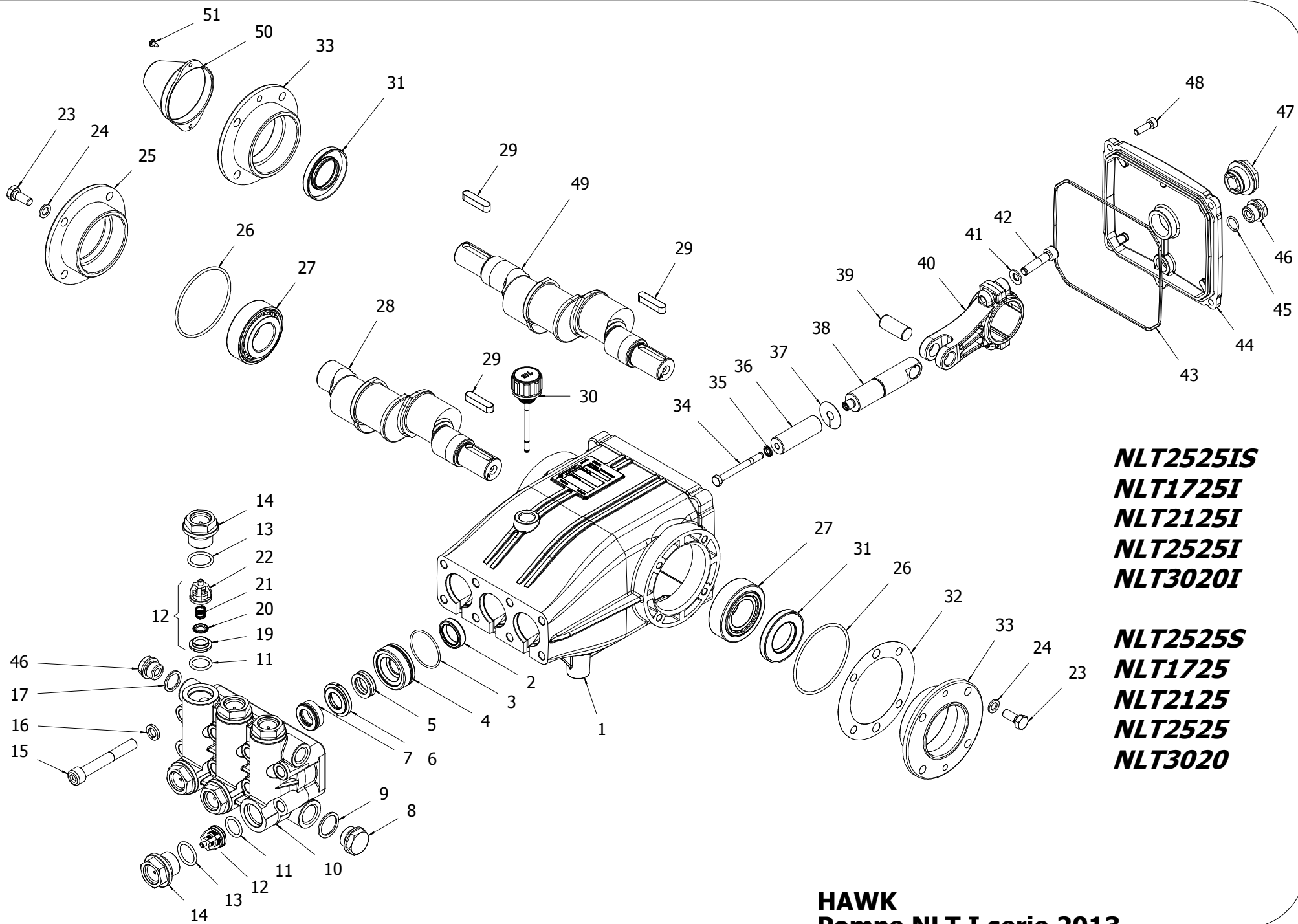


NLT2525IS-NLT1725I-NLT2125I-NLT2525I-NLT3020I



NLT2525S-NLT2525





***NLT2525IS***  
***NLT1725I***  
***NLT2125I***  
***NLT2525I***  
***NLT3020I***

***NLT2525S***  
***NLT1725S***  
***NLT2125S***  
***NLT2525S***  
***NLT3020S***

**HAWK**  
**Pompe NLT I serie 2013**  
**NLT I pumps 2013 series**

## SPARE PARTS KIT

## NLT I 2013

Item	Part Number & Description	Q.tà Pompa	SINGLE PTO					DOUBLE PTO					
			NLT2525IS	NLT1725I	NLT2125I	NLT2525I	NLT3020I	NLT2525S	NLT2525IS	NLT2525I	NLT3020I	NLT2525S	NLT2525
3x (3- 5- 7)	2601.26 Plunger Seals 20 mm	1	◆				◆	◆	◆		◆	◆	
	2601.70 Plunger Seals 18 mm	1		◆	◆	◆				◆			◆
3- 4- 5- 6- 7	2601.76 Complete seal Packing 20 mm	3	◆				◆	◆	◆		◆	◆	
	2601.71 Complete seal Packing 18 mm	3		◆	◆	◆				◆			◆
34- 35- 36- 37	2601.30 Plunger 20 mm	3	◆				◆	◆	◆		◆	◆	
	2601.72 Plunger 18 mm	3		◆	◆	◆				◆			◆
11- 12- 13	2601.73 Complete Valve	6	◆	◆	◆	◆	◆	◆	◆	◆	◆	◆	◆
3x ( 2 )	2600.03 Plunger oil Seal	1	◆	◆	◆	◆	◆	◆	◆	◆	◆	◆	◆
3- 4- 5- 6- 7- 8 9- 10- 11- 12 13- 14- 15- 16 17- 18	2601.74 Complete Manifold 20 mm	1	◆				◆	◆	◆		◆	◆	
	2601.75 Complete Manifold 18 mm	1		◆	◆	◆				◆			◆
38- 39- 40- 41 42	3100.41 Connectin Rod-Plunger Rod Assy	3	◆	◆	◆	◆	◆	◆	◆	◆	◆	◆	◆

## PARTS LIST


## NLT I 2013


Item	Part Number	Description	Q.tà/Pompa	SINGLE PTO						DOUBLE PTO					
				NLT2525IS	NLT1725I	NLT2125I	NLT2525I	NLT3020I	NLT2525S	NLT2525IS	NLT2525I	NLT3020I	NLT2525S	NLT2525	
*1	0202.97	Crankcase	1												
*2	0001.01	Plunger oil seal	3	◆	◆	◆	◆	◆	◆	◆	◆	◆	◆	◆	◆
*3	0601.08	"O" Ring Ø1.78x37.82	3												
*4	1201.66	Pressure ring 20 mm	3	◆				◆	◆	◆		◆	◆		
	1201.73	Pressure ring 18 mm	3		◆	◆	◆					◆			◆
*5	0002.52	"U" seal, dia.20 mm	3	◆				◆	◆	◆		◆	◆		
	0002.51	"U" seal, dia.18 mm	3		◆	◆	◆					◆			◆
*6	0300.88	Intermed. ring 20mm	3	◆				◆	◆	◆		◆	◆		
	0300.93	Intermed. ring 18 mm	3		◆	◆	◆					◆			◆
*7	0002.61	"U" seal, dia.20 mm	3	◆				◆	◆	◆		◆	◆		
	0002.68	"U" seal, dia.18 mm	3		◆	◆	◆					◆			◆
*8	1601.20	Brass plug G1/2	1	◆	◆	◆	◆	◆	◆	◆	◆	◆	◆	◆	◆
*9	0603.07	Copper washer 1/2	1												
*10	1602.51	Manifold housing Ø20	1	◆				◆	◆	◆		◆	◆		
	1602.54	Manifold housing Ø18	1		◆	◆	◆					◆			◆
*11	0601.23	"O" Ring Ø2.62x25.7	6												
*12	3604.80	Valve assembly	6												
*13	0601.65	"O" Ring 3068 - Ø2,62x17,13	6												
*14	1601.30	Valve plug	6												
*15	1801.36	Manifold stud bolt	8												
*16	1403.01	Lock-Washer	8												
*17	0603.06	Copper washer 3/8	1	◆	◆	◆	◆	◆	◆	◆	◆	◆	◆	◆	◆
*18	1601.17	Brass plug 3/8	1												
19	1503.02	Valve seat	6												
20	1202.02	Valve plate	6												
21	0900.02	Valve spring	6												
22	0604.05	Valve cage	6												
23	1802.05	Hexagonal screw	8												
24	1400.01	Washer	8												
25	0500.54	Closed bearing housing	→	1	1	1	1	1	1	1	0	0	0	0	0
26	0601.00	"O" Ring Ø2.62x71.12	2	◆	◆	◆	◆	◆	◆	◆	◆	◆	◆	◆	◆
27	0200.04	Roller bearing	2												
28	0006.66	Crankshaft Ø24 SPTO	1	◆											
	0006.67	Crankshaft Ø24 SPTO	1		◆										
	0006.68	Crankshaft Ø24 SPTO	1			◆									
	0006.69	Crankshaft Ø24 SPTO	1				◆								
	0006.70	Crankshaft Ø24 SPTO	1					◆							
	0006.71	Crankshaft Ø25 SPTO	1						◆						

## PARTS LIST

## NLT I 2013

Item	Part Number	Description	Q.tà/Pompa	SINGLE PTO						DOUBLE PTO				
				NLT2525IS	NLT1725I	NLT2125I	NLT2525I	NLT3020I	NLT2525S	NLT2525IS	NLT2525I	NLT3020I	NLT2525S	NLT2525
29	0206.04	Crankshaft key	→	1	1	1	1	1	1	2	2	2	2	2
30	1600.16	Oil dip stick	1	◆	◆	◆	◆	◆	◆	◆	◆	◆	◆	◆
31	0001.00	Crankshaft seal	1	1	1	1	1	1	1	2	2	2	2	2
32	0301.00	Shim	1	◆	◆	◆	◆	◆	◆	◆	◆	◆	◆	◆
33	0500.38	Bearing housing I	→	1	1	1	1	1		2	2	2		
	0500.53	Bearing housing							1				2	2
*34	1802.23	Plunger bolt	3	◆	◆	◆	◆	◆	◆	◆	◆	◆	◆	◆
*35	1400.10	Copper spacer	3											
*36	1200.32	Plunger 20 mm	3	◆				◆	◆	◆		◆	◆	
	1200.35	Plunger 18 mm	3		◆	◆	◆				◆			◆
*37	1400.57	Copper spacer	3											
*38	0003.33	Plunger rod	3											
*39	1502.07	Connecting rod pin	3											
*40	0100.10	Connecting rod	3											
*41	1401.03	Spring washer	6											
42	1801.01	Connecting rod screw	6											
43	0601.85	"O" Ring Ø2,62x152,07	1	◆	◆	◆	◆	◆	◆	◆	◆	◆	◆	◆
44	0203.63	Crankcase cover	1											
45	0601.14	"O" Ring Ø1,78x14,00	1											
46	1601.17	Brass plug 3/8	2											
47	0700.05	Sight glass, G3/4	1											
48	1801.41	Cover screw	5											
49	0006.72	Crankshaft Ø24 DPTO	1							◆				
	0006.73	Crankshaft Ø24 DPTO	1								◆			
	0006.74	Crankshaft Ø24 DPTO	1									◆		
	0006.75	Crankshaft Ø25 DPTO	1										◆	
	0006.76	Crankshaft Ø25 DPTO	1											◆
50	0205.03	Shaft protector	1							◆	◆	◆	◆	◆
51	1804.03	Shaft protector Screw	2											

 Part available  
in kit only

 Part available  
in kit also

Posizioni	Codice e Descrizione	Q.tà Pompa	SINGOLA PRESA DI FORZA				DOPPIA PRESA DI FORZA						
			NLT2525IS	NLT1725I	NLT2125I	NLT2525I	NLT3020I	NLT2525S	NLT2525IS	NLT2525I	NLT3020I	NLT2525S	NLT2525
3x (3- 5- 7)	2601.26 <i>Guarnizioni pistone Ø20</i>	1	◆				◆	◆	◆		◆	◆	
	2601.70 <i>Guarnizioni pistone Ø18</i>	1		◆	◆	◆				◆			◆
3- 4- 5- 6- 7	2601.76 <i>Pacco completo Guarnizioni pistone Ø20</i>	3	◆				◆	◆	◆		◆	◆	
	2601.71 <i>Pacco completo Guarnizioni pistone Ø18</i>	3		◆	◆	◆				◆			◆
34- 35- 36- 37	2601.30 <i>Pistone Ø20</i>	3	◆				◆	◆	◆		◆	◆	
	2601.72 <i>Pistone Ø18</i>	3		◆	◆	◆				◆			◆
11- 12- 13	2601.73 <i>Valvola completa</i>	6	◆	◆	◆	◆	◆	◆	◆	◆	◆	◆	◆
3x ( 2 )	2600.03 <i>Anelli tenuta olio Asta</i>	1	◆	◆	◆	◆	◆	◆	◆	◆	◆	◆	◆
3- 4- 5- 6- 7- 8 9- 10- 11- 12 13- 14- 15- 16 17- 18	2601.74 <i>Testata Completa Ø20</i>	1	◆				◆	◆	◆		◆	◆	
	2601.75 <i>Testata Completa Ø18</i>	1		◆	◆	◆				◆			◆
38- 39- 40- 41 42	3100.41 <i>Premontato asta-biella</i>	3	◆	◆	◆	◆	◆	◆	◆	◆	◆	◆	◆

## LISTA PARTI

## NLT I 2013

Pos.	Codice	Descrizione	Q.tà/Po mpa	SINGOLA PRESA DI FORZA						DOPPIA PRESA DI FORZA					
				NLT2525IS	NLT1725I	NLT2125I	NLT2525I	NLT3020I	NLT2525S	NLT2525IS	NLT2525I	NLT3020I	NLT2525S	NLT2525	
*1	0202.97	Carter	1												
*2	0001.01	Anello radiale	3	◆	◆	◆	◆	◆	◆	◆	◆	◆	◆	◆	◆
*3	0601.08	"O" Ring Ø1.78x37.82	3												
*4	1201.66	Pressore Ø20	3	◆				◆	◆	◆		◆	◆		
	1201.73	Pressore Ø18	3		◆	◆	◆					◆			◆
*5	0002.52	Anello tenuta "U" Ø20	3	◆				◆	◆	◆		◆	◆		
	0002.51	Anello tenuta "U" Ø18	3		◆	◆	◆					◆			◆
*6	0300.88	Diffusore interm. Ø20	3	◆				◆	◆	◆		◆	◆		
	0300.93	Diffusore interm. Ø18	3		◆	◆	◆					◆			◆
*7	0002.61	Anello tenuta "U" Ø20	3	◆				◆	◆	◆		◆	◆		
	0002.68	Anello tenuta "U" Ø18	3		◆	◆	◆					◆			◆
*8	1601.20	Tappo G1/2	1	◆	◆	◆	◆	◆	◆	◆	◆	◆	◆	◆	◆
*9	0603.07	Guarnizione rame G1/2	1												
*10	1602.51	Testata Ø20	1	◆				◆	◆	◆		◆	◆		
	1602.54	Testata Ø18	1		◆	◆	◆					◆			◆
*11	0601.23	"O" Ring 3068 - Ø2,62x17,13	6												
*12	3604.80	Valvola premontata	6												
*13	0601.65	"O" Ring Ø2,62x20,29	6												
*14	1601.30	Tappo valvola	6												
*15	1801.36	Vite M10x80	8												
*16	1403.01	Rosetta elastica Ø10,2	8												
*17	0603.06	Guarnizione rame G3/8	1	◆	◆	◆	◆	◆	◆	◆	◆	◆	◆	◆	◆
*18	1601.17	Tappo G3/8	1												
19	1503.02	Sede valvola	6												
20	1202.02	Piattello valvola	6												
21	0900.02	Molla valvola	6												
22	0604.05	Gabbia valvola	6												
23	1802.05	Vite M8x20	8												
24	1400.01	Rosetta Ø8.5	8												
25	0500.54	Flangia chiusa	→	1	1	1	1	1	1	0	0	0	0	0	0
26	0601.00	"O" Ring Ø2.62x71.12	2	◆	◆	◆	◆	◆	◆	◆	◆	◆	◆	◆	◆
27	0200.04	Cuscinetto a rulli	2												
28	0006.66	Albero eccentrico Ø24 SPTO	1	◆											
	0006.67	Albero eccentrico Ø24 SPTO	1		◆										
	0006.68	Albero eccentrico Ø24 SPTO	1			◆									
	0006.69	Albero eccentrico Ø24 SPTO	1				◆								
	0006.70	Albero eccentrico Ø24 SPTO	1					◆							
	0006.71	Albero eccentrico Ø25 SPTO	1						◆						

## LISTA PARTI

## NLT I 2013

Pos.	Codice	Descrizione	Q.tà/Po mpa	SINGOLA PRESA DI FORZA						DOPPIA PRESA DI FORZA				
				NLT2525IS	NLT1725I	NLT2125I	NLT2525I	NLT3020I	NLT2525S	NLT2525IS	NLT2525I	NLT3020I	NLT2525S	NLT2525
29	0206.04	Chiavetta	→	1	1	1	1	1	1	2	2	2	2	2
30	1600.16	Tappo livello olio	1	◆	◆	◆	◆	◆	◆	◆	◆	◆	◆	◆
31	0001.00	Anello radiale	1	1	1	1	1	1	1	2	2	2	2	2
32	0301.00	Distanziale	1	◆	◆	◆	◆	◆	◆	◆	◆	◆	◆	◆
33	0500.38	Flangia aperta I	→	1	1	1	1	1		2	2	2		
	0500.53	Flangia aperta							1				2	2
*34	1802.23	Vite pistone	3	◆	◆	◆	◆	◆	◆	◆	◆	◆	◆	◆
*35	1400.10	Rosetta rame	3											
*36	1200.32	Pistone Ø20	3	◆				◆	◆	◆		◆	◆	
	1200.35	Pistone Ø18	3		◆	◆	◆				◆			◆
*37	1400.57	Rosetta rame	3											
*38	0003.33	Asta pistone	3											
*39	1502.07	Spinotto	3											
*40	0100.10	Biella completa	3											
*41	1401.03	Rosetta elastica Ø8	6											
42	1801.01	Vite M8x35	6	◆	◆	◆	◆	◆	◆	◆	◆	◆	◆	◆
43	0601.85	"O" Ring Ø2,62x152,07	1											
44	0203.63	Coperchio	1											
45	0601.14	"O" Ring Ø1,78x14,00	1											
46	1601.17	Tappo G3/8	2											
47	0700.05	Spia livello olio G3/4	1											
48	1801.41	Vite M6x20	5											
49	0006.72	Albero eccentrico Ø24 DPTO	1							◆				
	0006.73	Albero eccentrico Ø24 DPTO	1								◆			
	0006.74	Albero eccentrico Ø24 DPTO	1									◆		
	0006.75	Albero eccentrico Ø25 DPTO	1										◆	
	0006.76	Albero eccentrico Ø25 DPTO	1											◆
50	0205.03	Cappelloz. potez.	1							◆	◆	◆	◆	◆
51	1804.03	Vite Cappelloz.	2											

Particolare disponibile  
solo in kit

\* Particolare disponibile  
anche in kit