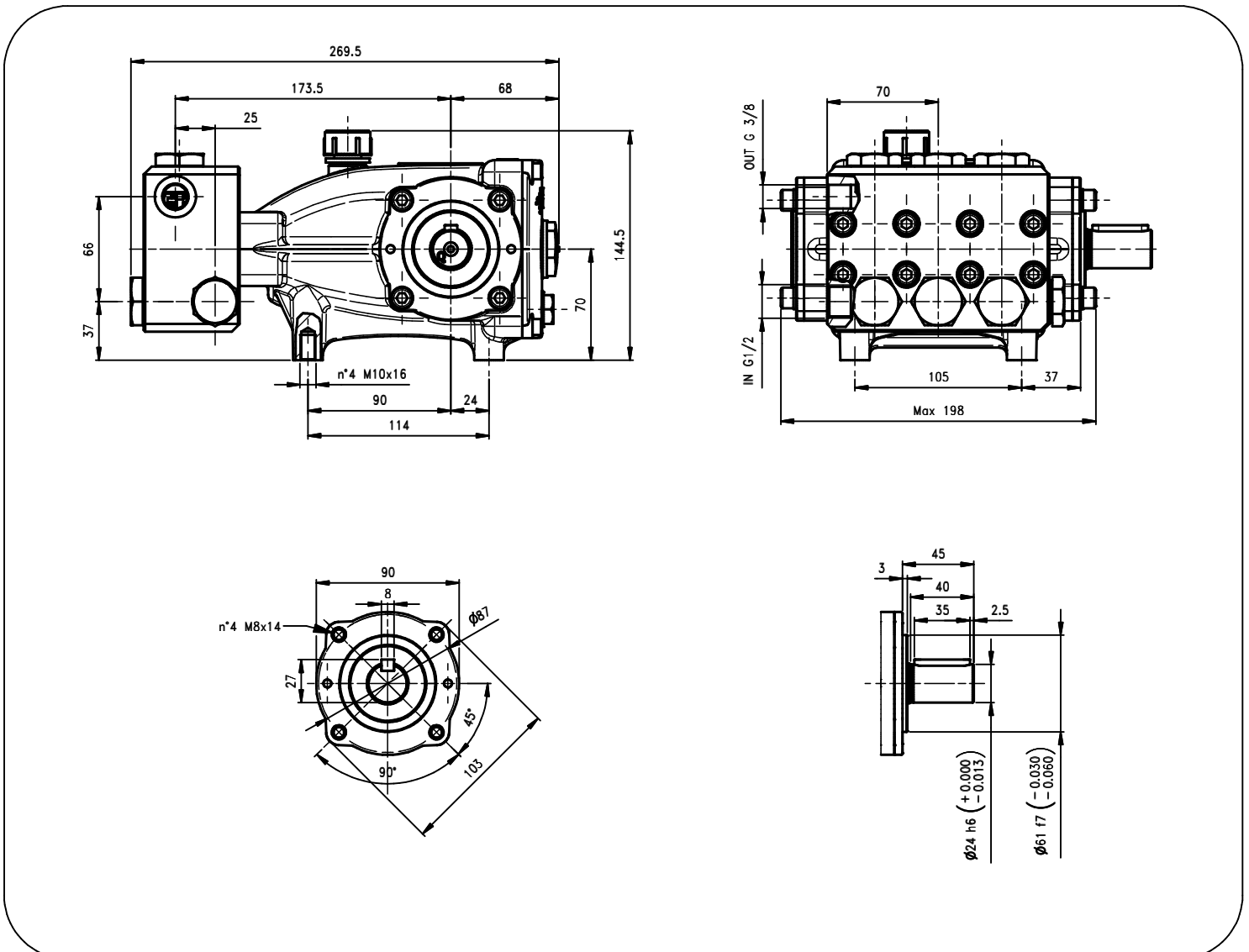


Pump Pompa	Pressure Pressione		Volume Portata				RPM giri/min		Power Potenza			
			l/min		GPM				HP		kW	
	bar	PSI	50 Hz	60 Hz	50 Hz	60 Hz	50 Hz	60 Hz	50 Hz	60 Hz	50 Hz	60 Hz
NMT1220ES	200	3000	12.5	15.0	3.3	4.0	1450	1740	6.4	7.5	4.7	5.7
NMT1520ES	200	3000	15.0	18.0	4.0	4.7	1450	1740	7.7	9.2	5.7	6.8
NMT1820ES	200	3000	18.0	21.4	4.8	5.6	1450	1740	9.2	11.0	6.8	8.1
NMT2120ES	200	3000	21.0	25.0	5.5	6.6	1450	1740	10.7	12.8	7.9	9.4

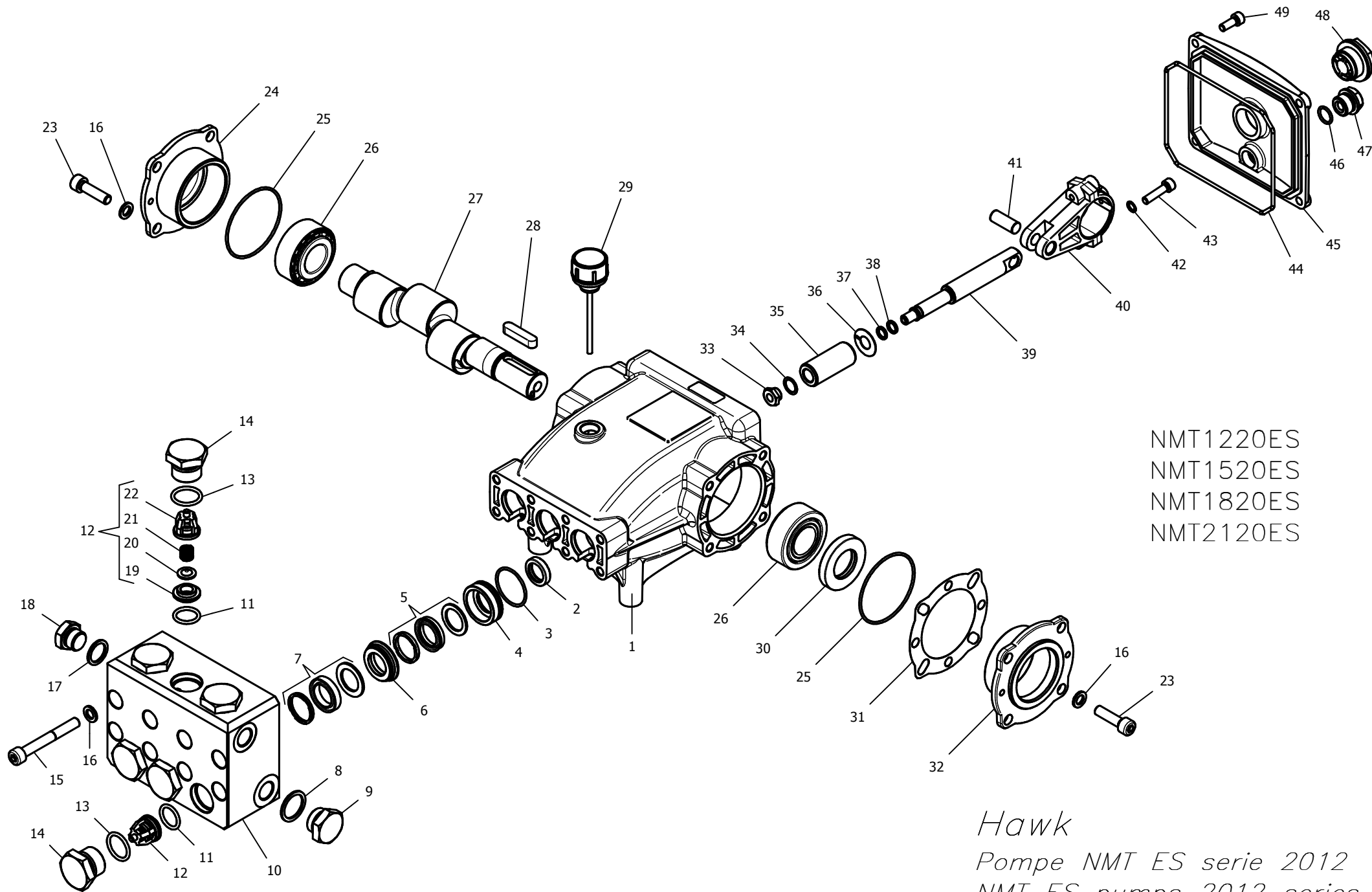
Dimensioni d'ingombro

Overall dimensions



Lubrificazione: Olio SAE 20/40W  
Capacità: 0.65 Litri  
Peso pompa: 11.8 Kg

Lubrication: SAE 20/40W Oil  
Capacity: 0.65 Litres  
Weight: 11.8 Kg



NMT1220ES  
 NMT1520ES  
 NMT1820ES  
 NMT2120ES

*Hawk*  
*Pompe NMT ES serie 2012*  
*NMT ES pumps 2012 series*

# NMT ES 2012

## SPARE PARTS KITS

## KIT RICAMBI

Posizioni Items	Part Number & Description	Descrizione	Q.tà per ogni pompa Q.ty for each Pump	NMT1220ES	NMT1520ES	NMT1820ES	NMT2120ES
3- 5- 7	2600.77 Plunger Seals 20mm	2600.77 Guarnizioni pistone Ø20	1				
3- 4- 5- 6- 7	2600.54 Complete Seals Packing 20mm	2600.54 Pacco completo Guarnizioni pistone Ø20	3				
33- 34- 35- 36 37- 38	2601.34 Plunger 20mm	2601.34 Pistone Ø20	3				
11- 12- 13	2600.56 Complete Valve	2600.56 Valvola completa	6	◆	◆	◆	◆
2	2608.03 Plunger oil Seals	2608.03 Anelli tenuta olio Asta	1				
3- 4- 5- 6- 7- 8 9- 10- 11- 12 13- 14- 17- 18	2600.57 Complete Manifold	2600.57 Testata Completa	1				
39- 40- 41- 42 43	3100.28 Conn.rod-plun.rod assy	3100.28 Premontato biella-asta	3				

## PARTS LIST

## LISTA RICAMBI

Pos. Item	Codice Part Number	Description	Descrizione	Q.tà per ogni pompa Q.ty for each Pump	NMT1220ES	NMT1520ES	NMT1820ES	NMT2120ES
1	0202.95	Crankcase	Carter	1				
*2	0001.03	Plunger oil seal	Anello radiale	3				
*3	0601.07	"O" Ring Ø1.78x31.47	"O" Ring Ø1.78x31.47	3				
*4	1201.44	Pressure ring 20mm	Pressore Ø20	3				
*5	0002.52	"U" seal, dia.20mm	Anello tenuta "U" Ø20	3				
*6	0300.66	Intermediate ring 20mm	Diffusore Interm. Ø20	3				
*7	0002.60	"U" seal, dia.20mm	Anello tenuta "U" Ø20	3				
*8	1601.54	Inox plug G1/2	Tappo G1/2 inox	1				
*9	0603.07	Copper washer	Guarnizione rame	1				
*10	1602.31	Manifold housing	Testata	1				
*11	0601.19	"O" Ring Ø2.62x17.13	"O" Ring Ø2.62x17.13	6	◆	◆	◆	◆
*12	3604.74	Valve assembly	Valvola premontata	6				
*13	0601.65	"O" Ring Ø2.62x20.29	"O" Ring Ø2.62x20.29	6				
*14	1601.55	Valve plug	Tappo valvola	6				
15	1801.02	Manifold stud bolt Stainless Steel	Vite TCEI M8x65 inox A2 70	8				
16	1400.54	Washer Stainless Steel	Rosetta Ø8.5 INOX	16				
*17	0603.06	Copper washer	Guarnizione rame	1				
*18	1601.53	Inox plug G3/8	Tappo G3/8 inox	1				
19	1503.01	Valve seat	Sede valvola	6				
20	1202.01	Valve plate	Piattello valvola	6				
21	0900.38	Valve spring	Molla valvola	6				
22	0604.05	Valve cage	Gabbia valvola	6				

# NMT ES 2012

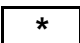
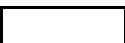
## PARTS LIST

## LISTA RICAMBI

Item	Part Number	Description	Descrizione	Q.tà per ogni pompa Q.ty for each Pump	NMT1220ES	NMT1520ES	NMT1820ES	NMT2120ES
23	1801.14	Hex socket Screw M8x20 Stainless Steel	Vite TCEI M8x20 INOX A2 70	8				
24	0500.61	Closed bearing housing	Flangia chiusa	1	◆	◆	◆	◆
25	0601.63	"O" Ring Ø1.78x60.05	"O" Ring Ø1.78x60.05	2				
26	0200.06	Roller bearing 33205	Cuscinetto a rulli 33205	2				
27	0006.14	Single - ended shaft	Albero semplice P.d.F.	1	◆			
	0006.16	" " "	" " "	1		◆		
	0006.17	" " "	" " "	1			◆	
	0006.18	" " "	" " "	1				◆
28	0206.04	Crankshaft key	Chiavetta	1				
29	1600.06	Oil dip stick	Tappo livello olio	1				
30	0001.02	Crankshaft seal	Anello radiale	1				
31	0301.02	Shim	Distanziale	3				
32	0500.60	Bearing housing	Flangia	3				
*33	0302.05	Plunger nut Stainless Steel	Dado pistone INOX	3				
*34	1400.12	Copper spacer Ø 11.2/15x0.5	Rosetta rame Ø 11.2/15x0.5	3				
*35	1200.10	Plunger 20mm	Pistone Ø20	3				
*36	1400.15	Copper spacer Ø 11.3/24x0.5	Rosetta rame Ø 11.3/24x0.5	3				
*37	0601.03	"O" Ring Ø1.78x7.66	"O" Ring Ø1.78x7.66	3				
*38	0009.04	Teflon ring	Anello antiestrusione	3	◆	◆	◆	◆
*39	0003.05	Plunger rod Stainless Steel	Asta pistone INOX	3				
*40	0100.01	Connecting rod	Biella	3				
*41	1502.06	Connecting rod pin	Spinotto	3				
*42	1401.02	Spring washer Ø6	Rosetta elastica Ø6	6				
*43	1801.05	Connecting rod screw M6x25	Vite M6x25	6				
44	0601.88	"O" Ring Ø 2.62x126.67	"O" Ring Ø 2.62x126.67	1				
45	0203.59	Crankcase cover	Coperchio posteriore	1				
46	0601.14	"O" Ring Ø1.78x14	"O" Ring Ø1.78x14	1				
47	1601.17	Brass plug G3/4	Tappo G3/8 ottone	1				
48	0700.05	Sight glass, G3/4	Spia livello olio G3/4	1				
49	1801.13	Cover screw Stainless Steel	Vite M6x16 INOX A2 70	4				

  Part available  
in kit only

Particol. disponibile  
solo in kit

  Part available  
in kit also

Particol. disponibile  
anche in kit