

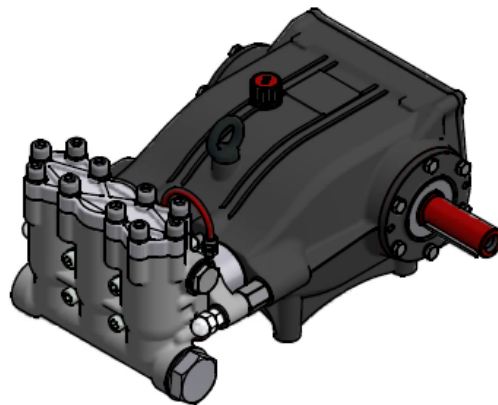
MXT HT

Caratteristiche Tecniche

Albero maschio – Solid shaft

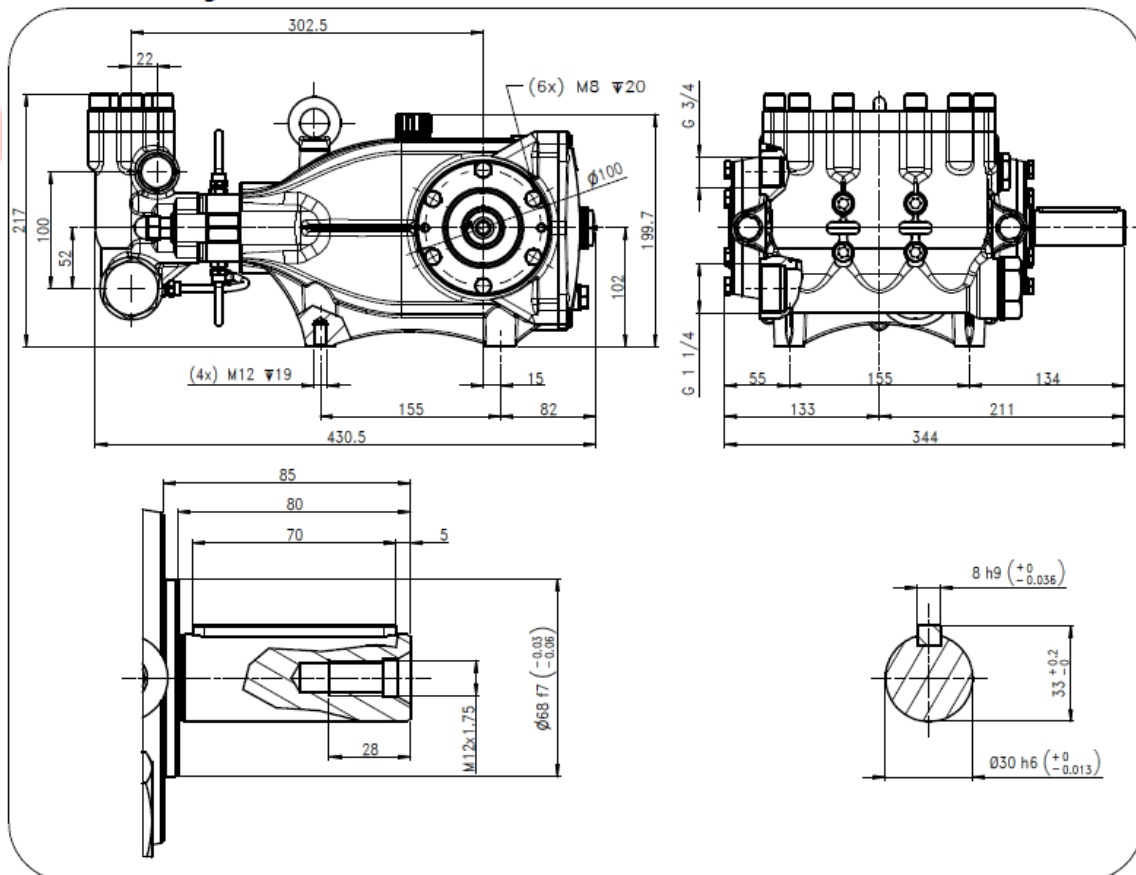
Technical Characteristics

| Pump Pompa | Pressure Pressione | | Volume Portata | | | | RPM giri/min | | Power Potenza | | | |
|---------------|-----------------------|------|-------------------|-------|-------|-------|-----------------|-------|------------------|-------|-------|-------|
| | | | l/min | | GPM | | | | HP | | kW | |
| | bar | PSI | 50 Hz | 60 Hz | 50 Hz | 60 Hz | 50 Hz | 60 Hz | 50 Hz | 60 Hz | 50 Hz | 60 Hz |
| MXT7015HT | 150 | 2175 | 70 | 84 | 18.5 | 22.2 | 1450 | 1740 | 26.9 | 32.3 | 19.8 | 23.8 |
| MXT8515HT | 150 | 2175 | 85 | 102 | 22.2 | 26.6 | 1450 | 1740 | 32.3 | 38.8 | 23.8 | 28.6 |
| MXT1015HT | 150 | 2175 | 100 | 120 | 25.9 | 31.1 | 1450 | 1740 | 37.7 | 45.2 | 27.7 | 33.2 |



Dimensioni d'ingombro

Overall dimensions



Lubrificazione: Olio SAE 10W40
Capacità: 2.3 Litri
Peso pompa: 32.5 kg

Lubrication: SAE 10W40 Oil
Capacity: 2.3 Litres
Weight: 32.5 kg

MXT HT SERIES 2015

ORDINARY MAINTENANCE KIT / KIT MANUTENZIONE ORDINARIA

| KIT | Item Pos | Part Number Codice | Description | Descrizione | Q.TY per pump - Q.TA per pompa | MXT1015HT | MXT8515HT | MXT7015HT |
|-----|------------------------------------|--------------------|---------------------|---------------------|--------------------------------|-----------|-----------|-----------|
| A | 4-6-7-8 | 1.099-868.0 | PISTON SEAL PACKING | GUARNIZIONI PISTONE | 1 | | | |
| B | 19 (22-23-24-25 26) 21-22-28-29 | 1.099-802.0 | VALVE | VALVOLE | 1 | • | • | • |

EXTRAORDINARY MAINTENANCE KIT / KIT MANUTENZIONE STRAORDINARIA

| KIT | Item Pos | Part Number Codice | Description | Descrizione | Q.TY per pump - Q.TA per pompa | MXT1015HT | MXT8515HT | MXT7015HT |
|-----|---------------------------------------|--------------------|----------------------------|--------------------------|--------------------------------|-----------|-----------|-----------|
| C | 19 (22-23-24-25 26) 20-21-22-28-29 | 1.099-804.0 | COMPLETE VALVE | VALVOLE COMPLETE | 1 | | | |
| D | 2 | 1.905-545.0 | PLUNGER OIL SEALS | TENUTE OLIO ASTA PISTONE | 1 | | | |
| E | 48-49-50-51 | 1.099-803.0 | PLUNGER | PISTONE | 3 | | | |
| F | 37-46-57-60-61 62 | 1.099-805.0 | KIT CRANCKASE SEALS | KIT TENUTE CARTER | 1 | • | • | • |
| G | 14-15-16-17-18 | 1.904-451.0 | MANIFOLD SCREWS | VITI TESTATA | 1 | | | |
| H | 52-53-54-55-56 | 1.904-428.0 | PLUNGER ROD-CONNECTING ROD | ASTA PISTONE-BIELLA | 3 | | | |
| I | 44-45 | 1.904-456.0 | COMPLETE CIRCULATION PIPES | TUBI RICIRCOLO | 1 | | | |

“Q.TY by Pump” => Necessary quantity to repair one pump
 “Q.TA’ per Pompa” => Quantità necessaria per riparare una pompa

| Part number Codice | Description | Descrizione |
|--------------------|------------------------|------------------------|
| 1.099-669.0 | TOOL KIT | TOOL KIT |
| 1.904-418.0 | TOOL KIT EXTRAORDINARY | TOOL KIT STRAORDINARIA |

IMPORTANT IMPORTANTE

* Part available ONLY in kit
 Disponibile SOLO in kit

(...) Parts pre-assembled
 Parti pre-assemblate

PARTS LIST LISTA PARTI

| Item Pos | Part Number Codice | Description | Descrizione | KIT | Q.TY Q.TÀ | MX T1015HT | MX T8515HT | MX T7015HT |
|----------|--------------------|--------------------------|----------------------------|-------|-----------|------------|------------|------------|
| 1 | 9.850-373.0 | CARTER | CARTER | | 1 | | | |
| 2* | | PLUNGER OIL SEAL | ANELLO RADIALE | D | 3 | | | |
| 3 | 9.853-085.0 | SUPPORT RING | PRESSORE | | 3 | | | |
| 4* | | "U" SEAL | GUARN. "U" | A | 3 | | | |
| 5 | 9.850-579.0 | INTERMED. RING | DIFFUSORE | | 3 | | | |
| 6* | | BACK RING | ANELLO ANTIESTR. | A | 3 | | | |
| 7* | | O-RING | O-RING | A | 3 | | | |
| 8* | | "U" SEAL | GUARN. "U" | A | 3 | | | |
| 9 | 9.851-895.0 | BRASS PLUG G3/4" | TAPPO G3/4 | | 1 | | | |
| 10 | 9.850-751.0 | COPPER SPACER G3/4" | GUARNIZIONE G3/4" | | 1 | | | |
| 11 | 9.851-366.0 | BRASS PLUG G1" 1/4 | TAPPO G1" 1/4 | | 1 | | | |
| 12 | 9.851-191.0 | BONDED SEAL G 1" 1/4 NBR | BONDED SEAL G 1" 1/4 NBR | | 1 | | | |
| 13 | 9.851-418.0 | MANIFOLD HOUSING | TESTATA OTTONE Ø30 | | 1 | | | |
| 14* | | SPRING WASHER | ROSETTA ELAST. | G | 4 | | | |
| 15* | | MANIFOLD HOUSING SCREW | VTCEI M10 x 130 ISO 4762-p | G | 4 | | | |
| 16* | | NUT CAP | DADO | G | 2 | | | |
| 17* | | NUT | DADO M12 UNI5588 | G | 2 | | | |
| 18* | | WASHER | ROSETTA | G | 2 | | | |
| 19* | | VALVE ASSEMBLY | VALVOLA PREMONTATA | B - C | 6 | | | |
| 20* | | VALVE CAGE | GABBIA VAM IMPILATA | C | 3 | | | |
| 21* | | BACK RING | ANELLO ANTIESTR. | B - C | 6 | | | |
| 22* | | O-RING | O-RING | B - C | 9 | | | |
| 23* | | VALVE SEAT | SEDE VAM | B - C | 6 | | | |
| 24* | | VALVE PLATE | PIATTELLO VAM | B - C | 6 | | | |
| 25* | | VALVE SPRING | MOLLA VAM | B - C | 6 | | | |
| 26* | | VALVE CAGE | GABBIA VAM | B - C | 6 | | | |
| 27 | 9.851-354.0 | VALVE SPACER CAP | DISTANZIALE TAPPO VAM | | 3 | | | |
| 28* | | O-RING | O-RING | B - C | 3 | | | |
| 29* | | BACK RING | ANELLO ANTIESTR. | B - C | 3 | | | |
| 30 | 9.850-399.0 | MANIFOLD HOUSING COVER | COPERCHIO TESTATA | | 1 | | | |
| 31 | 9.851-159.0 | WASHER | ROSETTA | | 10 | | | |
| 32 | 9.851-495.0 | COVER SCREW | VITE COPERCHIO TESTATA | | 10 | | | |
| 33 | 9.851-503.0 | BEARING HOUSING SCREW | VITE FLANGIA CUSCINETTI | | 12 | | | |
| 34 | 9.851-114.0 | WASHER | ROSETTA M8 UNI 6592V | | 12 | | | |
| 35 | 9.850-641.0 | BEARING HOUSING | FLANGIA CHIUSA | | 1 | | | |
| 36 | 9.850-556.0 | SHIM 0,1mm | DISTANZIALE FLANGIA 0,1mm | | 1 | | | |
| | 9.850-557.0 | SHIM 0,05mm | DISTANZIALE FLANGIA 0,05mm | | 1 | | | |
| 37* | | O-RING | O-RING | F | 2 | | | |

| Item Pos | Part Number Codice | Description | Descrizione | KIT | Q.TY Q.TÀ | MXT1015HT | MXT8515HT | MXT7015HT |
|----------|--------------------|-------------------------|------------------------|-----|-----------|-----------|-----------|-----------|
| 38 | 9.851-963.0 | ROLLER BEARING | CUSCINETTO | | 2 | • | • | • |
| 39 | 9.850-229.0 | CRANKSHAFT SPTO Ø30 | ALBERO SPTO Ø30 | | 1 | • | | |
| | 9.850-231.0 | CRANKSHAFT SPTO Ø30 | ALBERO SPTO Ø30 | | 1 | | • | |
| | 9.850-232.0 | CRANKSHAFT SPTO Ø30 | ALBERO SPTO Ø30 | | 1 | | | • |
| 40 | 9.850-450.0 | CRANKSHAFT KEY | LINGUETTA | | 1 | | | |
| 41 | 9.851-457.0 | EYEBOLT | GOLFARE | | 1 | | | |
| 42 | 9.851-287.0 | OIL DIP STICK | TAPPO SFIATO OLIO | | 1 | | | |
| 43 | 9.850-555.0 | MANIFOLD HOUSING SPACER | TIRANTE TESTATA | | 2 | | | |
| 44* | | FITTING | RACCORDO | I | 6 | | | |
| 45* | | RED PIPE | TUBO ROSSO | I | 4 | | | |
| 46* | | PLUNGER OIL SEAL | ANELLO RADIALE | F | 1 | | | |
| 47 | 9.850-642.0 | BEARING HOUSING | FLANGIA APERTA | | 1 | | | |
| 48* | | PLUNGER INOX SCREW | VITE INOX PISTONE | E | 3 | | | |
| 49* | | PLUNGER COPPER SPACER | ROSETTA RAME | E | 3 | | | |
| 50* | | PLUNGER | PISTONE | E | 3 | | | |
| 51* | | COPPER SPACER | ROSETTA PISTONE | E | 3 | | | |
| 52* | | PLUNGER ROD | ASTA GUIDA PISTONE | H | 3 | • | • | • |
| 53* | | CONNECTING ROD PIN | SPINOTTO | H | 3 | | | |
| 54* | | CONNECTING ROD | BIELLA | H | 3 | | | |
| 55* | | SCHNORR WASHER | ROSETTA SCHNORR | H | 6 | | | |
| 56* | | CONNECTING ROD SCREW | VITE BIELLA | H | 6 | | | |
| 57* | | O-RING | O-RING | F | 1 | | | |
| 58 | 9.850-393.0 | CRANKCASE COVER | COPERCHIO POSTERIORE | | 1 | | | |
| 59 | 9.851-474.0 | COVER SCREW | VITE COPERCHIO | | 5 | | | |
| 60* | | SIGHT GLASS G 3/4" | SPIA LIVELLO OLIO G3/4 | F | 1 | | | |
| 61* | | BRASS PLUG G3/8" | TAPPO G3/8" | F | 1 | | | |
| 62* | | O-RING | O-RING | F | 1 | | | |
| 63 | 9.851-353.0 | CUP | TAPPO | | 1 | | | |