

XLT HY 2021

Albero cavo/scanalato SAEJ744 –
Hollow shaft SAEJ744

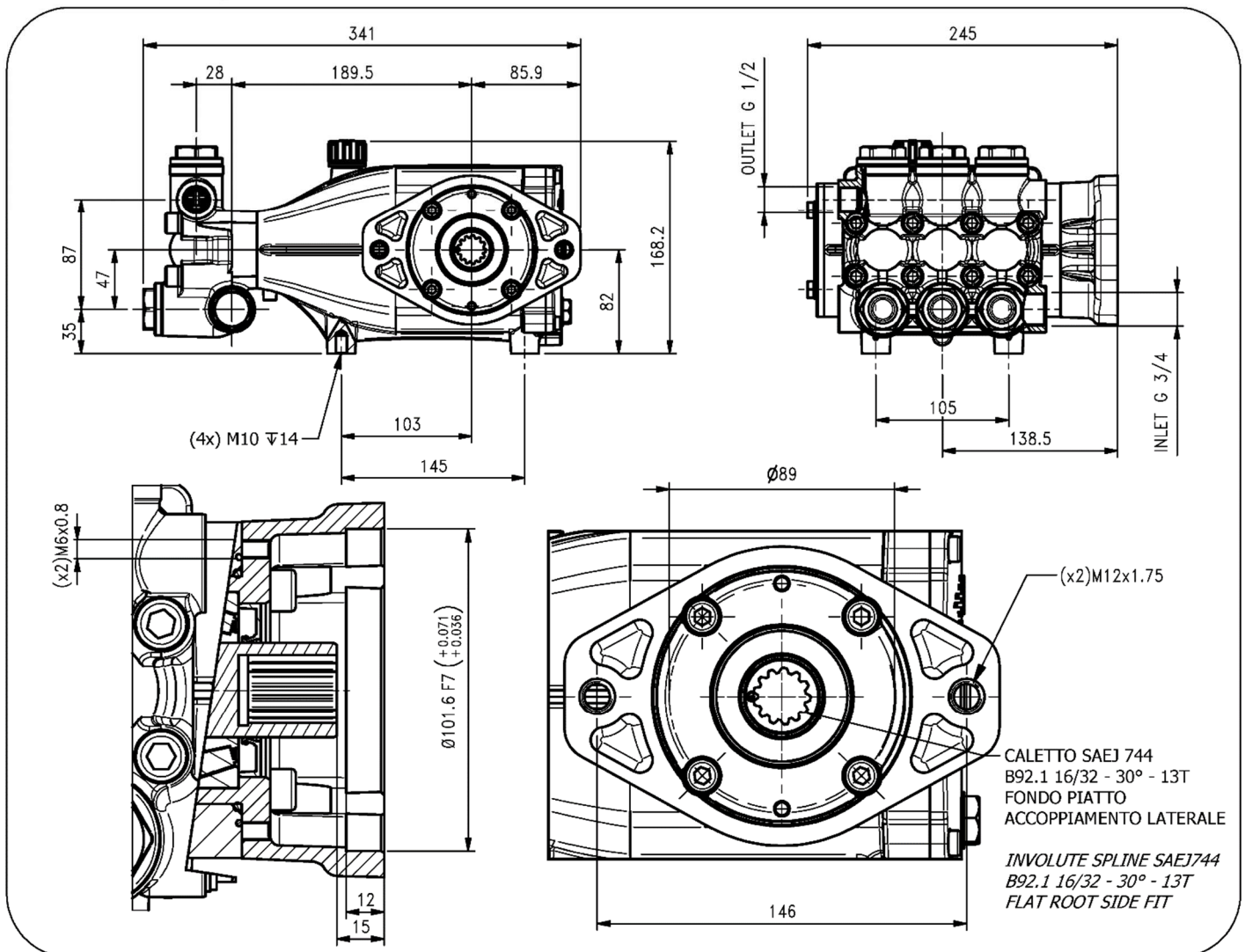
Caratteristiche Tecniche

Technical Characteristics

Pump Pompa	Pressure Pressione		Volume Portata				RPM giri/min		Power Potenza			
			l/min		GPM				HP		kW	
	bar	PSI	50 Hz	60 Hz	50 Hz	60 Hz	50 Hz	60 Hz	50 Hz	60 Hz	50 Hz	60 Hz
XLT4017HY	170	2465	40	48	10.6	12.7	1450	1740	17.0	20.4	12.5	15.0
XLT5015HY	150	2175	50	60	13.2	15.8	1450	1740	18.8	22.6	13.8	16.6

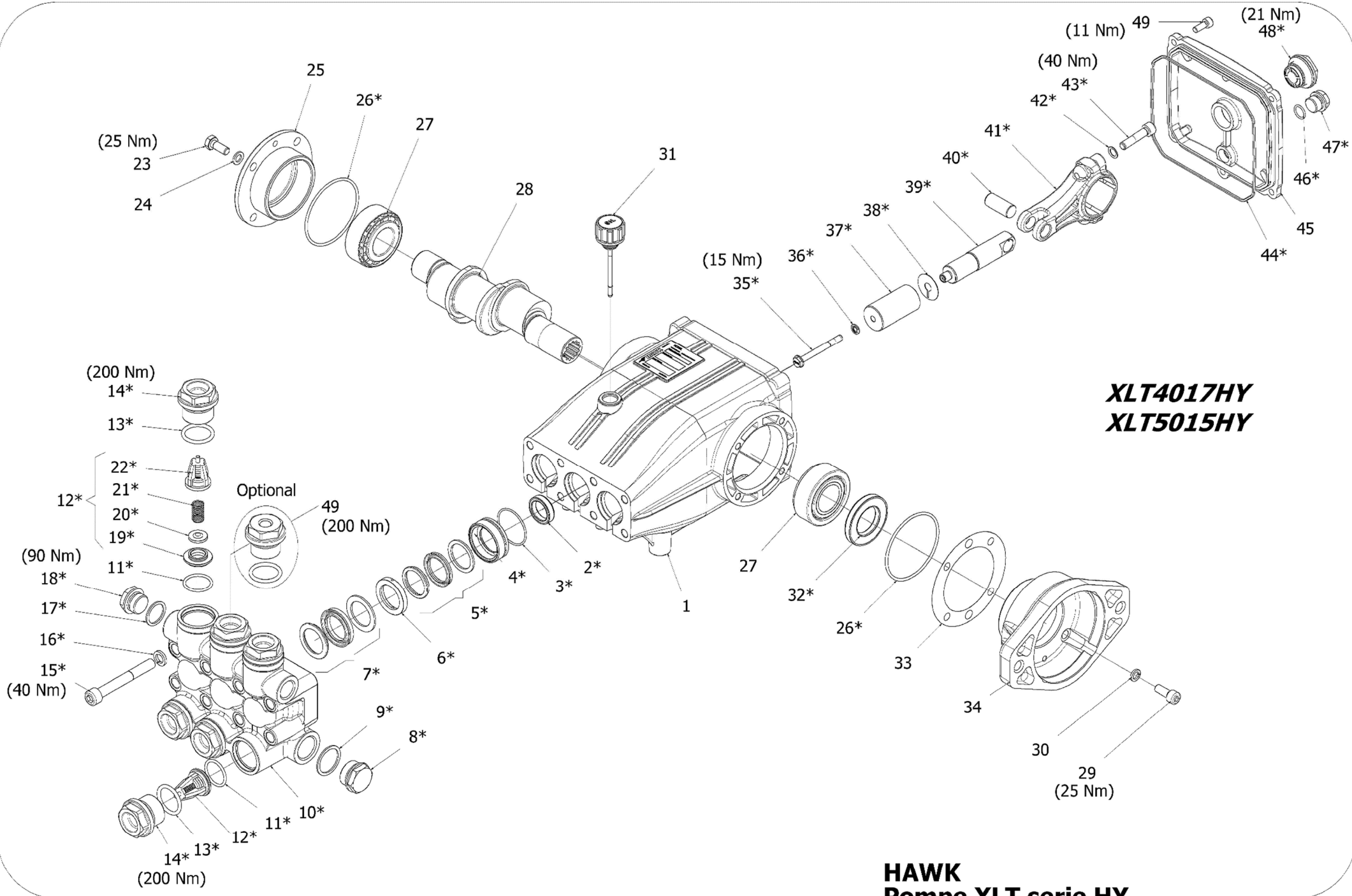
Dimensioni d'ingombro

Overall dimensions



Lubrificazione: Olio SAE 10W40
Capacità: 1.2 Litri
Peso pompa: 18.6 kg

Lubrication: SAE 10W40 Oil
Capacity: 1.2 Litres
Weight: 18.6 kg



XLT4017HY
XLT5015HY

HAWK
Pompe XLT serie HY
XLT pumps HY series

XLT HY 2021 SERIES

ORDINARY MAINTENANCE KIT / KIT MANUTENZIONE ORDINARIA

KIT	Item Pos.	Part Number Codice	Description	Descrizione	Q.TY by Pump Q.TA per Pompa	XLT401ZHY	XLT5015HY
A	3 - 5 - 7	1.099-770.0	PLUNGER SEALS DIA. 25 mm	GUARNIZIONI PISTONE Ø25	1	•	
		1.099-771.0	PLUNGER SEALS DIA. 28 mm	GUARNIZIONI PISTONE Ø28			•
B	11- 12 (19 20- 21- 22) 13	1.905-686.0	COMPLETE VALVE	VALVOLA COMPLETA	1	•	•
	11- 12 (19 20- 21- 22) 13	1.905-687.0	COMPLETE VALVE	VALVOLA COMPLETA			

EXTRAORDINARY MAINTENANCE KIT / KIT MANUTENZIONE STRAORDINARIA

KIT	Item Pos.	Part Number Codice	Description	Descrizione	Q.TY by Pump Q.TA per Pompa	XLT401ZHY	XLT5015HY
C	3- 4- 5- 6- 7	1.905-853.0	COMPLETE SEALS PACKING DIA. 25 mm	PACCO COMPLETO GUARNIZIONI PISTONE Ø25	1	•	
		1.905-854.0	COMPLETE SEALS PACKING DIA. 28 mm	PACCO COMPLETO GUARNIZIONI PISTONE Ø28			•
D	35 - 36 - 37 - 38	1.099-777.0	PLUNGER DIA. 25 mm	PISTONE Ø25	3	•	
		1.099-778.0	PLUNGER DIA. 28 mm	PISTONE Ø28			•
E	2	1.099-766.0	PLUNGER OIL SEALS	ANELLI TENUTA OLIO ASTA	1	•	•

“Q.TY by Pump” => Necessary quantity to repair one pump
 “Q.TA’ per Pompa” => Quantità necessaria per riparare una pompa

EXTRAORDINARY MAINTENANCE KIT / KIT MANUTENZIONE STRAORDINARIA

KIT	Item Pos.	Part Number Codice	Description	Descrizione	Q.TY by Pump Q.TA per Pompa	XL T4017HY	XL T5015HY
F	26- 31- 43 45- 46- 47	1.905-613.0	KIT CRANKCASE SEALS	KIT TENUTE CARTER	1	•	•
G	3- 4- 5- 6- 7 8- 9- 10- 11 12 (19- 20 21- 22) 13 14- 15- 16 17- 18	1.099-783.0	COMPLETE MANIFOLD 25	TESTATA COMPLETA Ø25		•	
		1.099-784.0	COMPLETE MANIFOLD 28	TESTATA COMPLETA Ø28			•
H	39 - 40 41- 42 - 43	1.904-180.0	CONNECTING ROD PLUNGER ROD ASSY	PREMONTATO ASTA-BIELLA PISTONE	3	•	•
I	13- 14	1.904-260.0	VALVE PLUG ASSY	PREMONTATO TAPPO VAM	6	•	•
		1.904-262.0	VALVE PLUG ASSY	PREMONTATO TAPPO VAM			

“Q.TY by Pump” => Necessary quantity to repair one pump
“Q.TA’ per Pompa” => Quantità necessaria per riparare una pompa
OPTIONAL

Item Pos.	Part Number Codice	Description	Descrizione	Q.TY by Pump Q.TA per Pompa	XL T4017HY	XL T5015HY
49	9.853-428.0	THREADED BRASS PLUG G1/4	PREMONTATO TAPPO FORATO	1	•	•

TOOL KIT

Part Number Codice	Description	Descrizione	Q.TY by Pump Q.TA per Pompa	XL T4017HY	XL T5015HY
1.099-665.0	TOOL-KIT	TOOL-KIT	1	•	•
1.905-659.0	OIL SEAL EXTRACTOR TOOL-KIT	TOOL-KIT ESTR. PARAOLIO	1		

IMPORTANT

IMPORTANTE

* **Part available ONLY in kit**
Disponibile SOLO in kit

(...) **Parts pre-assembled**
Parti pre-assemblate

PARTS LIST LISTA PARTI

Item Pos	Part Number Codice	Description	Descrizione	KIT	Q.TY Q.TÀ	XLT4017NY	XLT5015NY
1	9.850-377.0	CRANKCASE	CARTER		1		
2*		PLUNGER OIL SEAL	ANELLO RADIALE	E	3	•	
3*		"O" RING Ø1.78X37.82	"O" RING Ø1.78X37.82	A-C-G	3		
4*		PRESSURE RING 25MM	PRESSORE "U" Ø25	A-C-G	3	•	
		PRESSURE RING 28MM	PRESSORE "U" Ø28			•	
5*		LOW PRESSURE "U" SEAL, DIA.25MM	ANELLO TENUTA "U" Ø25	A-C-G	3	•	
		LOW PRESSURE "U" SEAL, DIA.28MM	ANELLO TENUTA "U" Ø28			•	
6*		INTERMED. RING 25MM	DIFFUSORE INTER. Ø25	C-G	3	•	
		INTERMED. RING 28MM	DIFFUSORE INTER. Ø28			•	
7*		HIGH PRESSURE "U" SEAL, DIA.25MM	ANELLO TENUTA "U" Ø25	A-C-G	3	•	
		HIGH PRESSURE "U" SEAL, DIA.28MM	ANELLO TENUTA "U" Ø28			•	
8*		BRASS PLUG G 3/4	TAPPO G 3/4	G	1		
9*		COPPER WASHER G 3/4	GUARNIZIONE RAME G3/4	G	1		
10*		MANIFOLD HOUSING 28/25	TESTATA Ø28/25	G	1		
11*		"O" RING Ø2.62X25.07	"O" RING Ø2.62X25.07	B-G	6		
12*		VALVE ASSEMBLY	VALVOLA PREMONTATA	B-G	6		
13*		"O" RING Ø2.62X26.58	"O" RING Ø2.62X26.58	B-G-I	6		
14*		VALVE PLUG	TAPPO VALVOLA	G-I	6		
15*		MANIFOLD STUD BOLT	VITE M10X80 GEOMET	G	8		
16*		LOCK-WASHER	ROSETTA ELASTICA	G	8		
17*		COPPER WASHER G1/2	GUARNIZIONE RAME G1/2	G	1		
18*		BRASS PLUG G1/2	TAPPO G1/2	G	1		
19*		VALVE SEAT	SEDE VALVOLA	B-G	6		
20*		VALVE PLATE	PIATTELLO VALVOLA	B-G	6		
21*		VALVE SPRING	MOLLA VALVOLA	B-G	6		
22*		VALVE CAGE	GABBIA VALVOLA	B-G	6	•	
23	9.851-503.0	HEXAGONAL SCREW	VITE M8X20		4		
24	9.851-114.0	WASHER DIA. 8.5	ROSETTA Ø8.5		4		
25	9.850-624.0	CLOSED BEARING HOUSING	FLANGIA CHIUSA		1		
26*		"O" RING Ø2.62X71.12	"O" RING Ø2.62X71.12	F	2		
27	9.850-348.0	ROLLER BEARING	CUSCINETTO A RULLI		2		
28	9.853-793.0	HOLLOW SHAFT	ALBERO CAVO		1		
29	9.851-476.0	SCREW	VITE		4		
30	9.851-157.0	WASHER	RONDELLA		4		
31	9.851-287.0	OIL DIP STICK	TAPPO LIVELLO OLIO		1		
32*		CRANKSHAFT SEAL	ANELLO RADIALE	F	1		
33		SHIM	DISTANZIALE		1		
34*		SAE J744B BEARING HOUSING	FLANGIA SAE J744B		1		
35*		PLUNGER BOLT	VITE PISTONE	D	3		

	Part Number Codice	Description	Descrizione	KIT	Q.TY Q.TÀ	XL T4017	XL T5015
36*		BONDED SEAL	BONDED SEAL	D	3	•	
37*		PLUNGER DIA. 25 MM	PISTONE Ø25	D	3	•	
		PLUNGER DIA. 28 MM	PISTONE Ø28	D	3		•
38*	9.851-136.0	COPPER SPACER	ROSETTA RAME	D	3		
39*	9.850-101.0	PLUNGER ROD	ASTA PISTONE	H	3		
40*	9.851-214.0	CONNECTING ROD PIN	SPINOTTO	H	3		
41*		CONNECTING ROD	BIELLA	H	3		
42*	9.851-152.0	SPRING WASHER	ROSETTA ELASTICA Ø8	H	6		
43*	9.851-463.0	CONNECTING ROD SCREW	VITE BIELLA	H	6		
44	9.850-716.0	"O" RING Ø2.62X152.07	"O" RING Ø2.62X152.07	F	1	•	
45*	9.850-389.0	CRANKCASE COVER	COPERCHIO		1		
46*	9.850-668.0	"O" RING Ø1.78X14.00	"O" RING Ø1.78X14.00	F	1		
47*		BRASS PLUG G 3/8	TAPPO OTTONE G 3/8	F	1		
48	9.850-808.0	SIGHT GLASS, G 3/4	SPIA LIVELLO OLIO	F	1		
49	9.851-474.0	COVER SCREW	VITE COPERCHIO		5		