

# NMT ES

Caratteristiche Tecniche

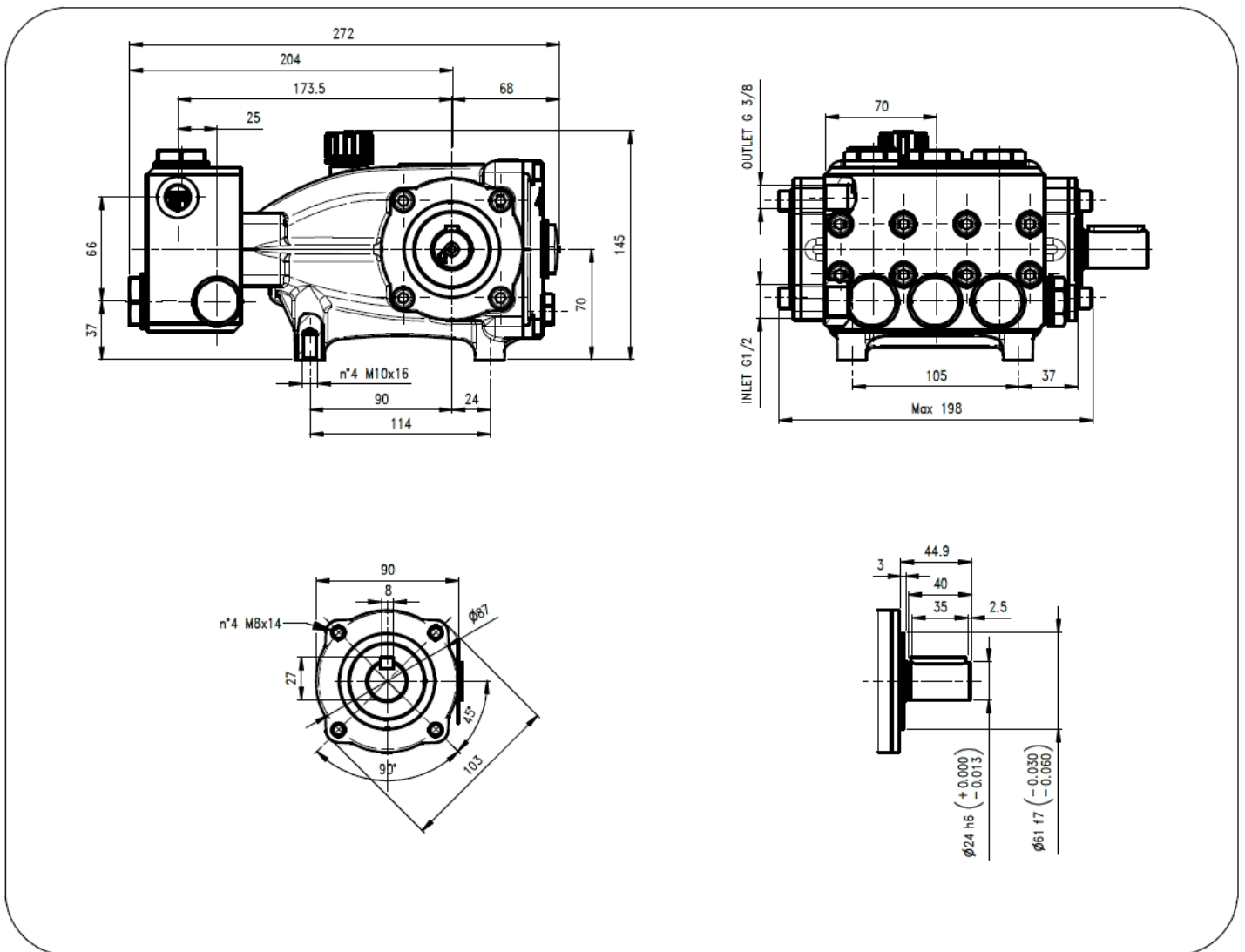
AISI 316

Technical Characteristics

Pump Pompa	Pressure Pressione		Volume Portata				RPM giri/min		Power Potenza			
			l/min		GPM				HP		kW	
	bar	PSI	50 Hz	60 Hz	50 Hz	60 Hz	50 Hz	60 Hz	50 Hz	60 Hz	50 Hz	60 Hz
NMT1220ES	200*	2900	12.5	15	3.3	4.0	1450	1740	6.4	7.7	4.7	5.7
NMT1520ES	200*	2900	15	18	4.0	4.7	1450	1740	7.7	9.2	5.7	6.8
NMT1820ES	200*	2900	18	21.5	4.8	5.6	1450	1740	9.2	11	6.8	8.1
NMT2120ES	200*	2900	21	25	5.5	6.6	1450	1740	10.7	12.8	7.9	9.4

Dimensioni d'ingombro

Overall dimensions

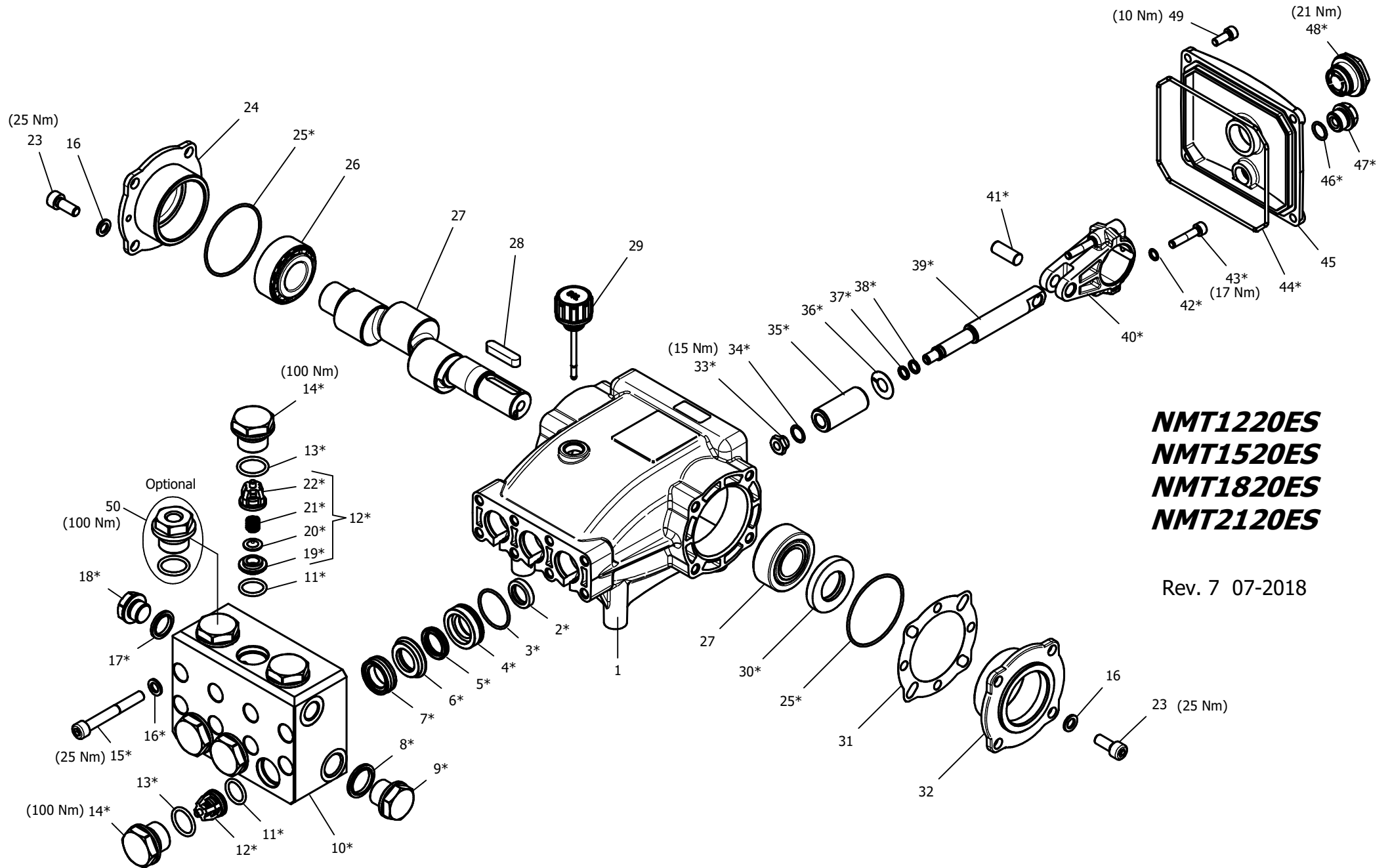


\*Sopra 65° Massima Pressione 150 Bar

\*Above 65° Max Pressure 150 Bar

Lubrificazione: Olio SAE 10W40  
Capacità: 0.7 Litri  
Peso pompa: 11.8 kg

Lubrication: SAE 10W40 Oil  
Capacity: 0.7 Litres  
Weight: 11.8 kg



***NMT1220ES***  
***NMT1520ES***  
***NMT1820ES***  
***NMT2120ES***

Rev. 7 07-2018

**HAWK**  
**Pompe NMT ES serie 2012**  
**NMT ES Pumps 2012 series**

## NMT ES 2012 SERIES

### ORDINARY MAINTENANCE KIT / KIT MANUTENZIONE ORDINARIA

KIT	Item Pos.	Part Number Codice	Description	Descrizione	Q.TY by Pump Q.TA per Pompa	NMT1220ES	NMT1520ES	NMT1820ES	NMT2120ES
A	3- 4- 5- 7	1.904-469.0	PLUNGER SEALS DIA. 20 mm	GUARNIZIONI PISTONE Ø20	1				
B	11- 12- 13 (19- 20- 21 22)	1.905-583.0	COMPLETE VALVE	VALVOLA COMPLETA	1	•	•	•	•

### EXTRAORDINARY MAINTENANCE KIT / KIT MANUTENZIONE STRAORDINARIA

KIT	Item Pos.	Part Number Codice	Description	Descrizione	Q.TY by Pump Q.TA per Pompa	NMT1220ES	NMT1520ES	NMT1820ES	NMT2120ES
C	3- 4- 5- 6- 7	1.905-582.0	COMPLETE SEALS PACKING DIA. 20 mm	PACCO COMPLETO GUARNIZIONI PISTONE Ø20	1				
D	33- 34- 35 36- 37- 38	1.099-846.0	PLUNGER DIA. 20 mm	PISTONE Ø20	3				
E	2	1.099-751.0	PLUNGER OIL SEALS	ANELLI TENUTA OLIO ASTA	1				
F	25- 30- 44 46- 47- 48	1.905-542.0	KIT CRANKCASE SEALS	KIT TENUTE CARTER	1				
G	3- 4- 5- 6- 7 8- 9- 10- 11 12- 13- 14 15- 16- 17 18 (19- 20 21- 22)	1.099-848.0	COMPLETE MANIFOLD	TESTATA COMPLETA	1	•	•	•	•
H	33- 34- 37 38- 39- 40 41- 42- 43	1.905-581.0	CONNECTING ROD PLUNGER ROD ASSY	PREMONTATO ASTA-BIELLA PISTONE	3				
I	13- 14	1.904-323.0	VALVE PLUG ASSY	PREMONTATO TAPPO VAM	6				

“Q.TY by Pump” => Necessary quantity to repair one pump  
 “Q.TA’ per Pompa” => Quantità necessaria per riparare una pompa

### OPTIONAL

Item Pos.	Part Number Codice	Description	Descrizione	Q.TY by Pump Q.TA per Pompa	NMT1220ES	NMT1520ES	NMT1820ES	NMT2120ES
50	9.853-426.0	THREADED BRASS PLUG G1/4	PREMONTATO TAPPO FORATO	1	•	•	•	•

### TOOL KIT

Part Number Codice	Description	Descrizione	Q.TY by Pump Q.TA per Pompa	NMT1220ES	NMT1520ES	NMT1820ES	NMT2120ES
1.099-667.0	TOOL-KIT	TOOL-KIT	1	•	•	•	•
1.904-414.0	OIL SEAL EXTRACTOR TOOL-KIT	TOOL-KIT ESTRAZIONE PARAOLIO	1	•	•	•	•

### IMPORTANT

### IMPORTANTE

\* Part available ONLY in kit  
Disponibile SOLO in kit

(...) Parts pre-assembled  
Parti pre-assemblate

### PARTS LIST LISTA PARTI

Item Pos	Part Number Codice	Description	Descrizione	KIT	Q.TY Q.TÀ	NMT1220ES	NMT1520ES	NMT1820ES	NMT2120ES
1	9.850-375.0	CRANKCASE	CARTER		1				
2*		PLUNGER OIL SEAL	ANELLO RADIALE	E	3				
3*		"O" RING Ø1.78X31.47	"O" RING Ø1.78X31.47	A-C-G	3				
4*		PRESSURE RING 20MM	PRESSORE "U" Ø20	C-G	3				
5*		LOW PRESSURE "U" SEAL, DIA.20MM	ANELLO TENUTA "U" Ø20	A-C-G	3				
6*		INTERMED. RING 20MM	DIFFUSORE INTER. Ø20	C-G	3				
7*		HIGH PRESSURE "U" SEAL, DIA.20MM	ANELLO TENUTA "U" Ø20	A-C-G	3				
8*		BONDED SEAL G1/2 STAINLESS STEEL	BONDED SEAL G 1/2 INOX	G	1				
9*		PLUG G1/2 STAINLESS STEEL	TAPPO G1/2 INOX	G	1				
10*		MANIFOLD HOUSING STAINLESS STEEL	TESTATA INOX	G	1				
11*		"O" RING Ø2.62X17.13	"O" RING Ø2.62X17.13	B-G	6				
12*		VALVE ASSEMBLY	VALVOLA PREMONTATA	B-G	6				
13*		"O" RING Ø2.62X20.29	"O" RING Ø2.62X20.29	B-G-I	6				
14*		VALVE PLUG STAINLESS STEEL	TAPPO VALVOLA INOX	G-I	6	•	•	•	•
15*		MANIFOLD STUD BOLT STAINLESS STEEL	VITE TCEI M8X65 INOX A2 70	G	8				
16*		WASHER Ø8,5 STAINLESS STEEL	ROSETTA Ø8.5 INOX	G	16				
17*		BONDED SEAL G3/8 STAINLESS STEEL	BONDED SEAL G 3/8 INOX	G	1				
18*		PLUG G3/8 STAINLESS STEEL	TAPPO G3/8 INOX	G	2				
19*		VALVE SEAT	SEDE VALVOLA	B-G	6				
20*		VALVE PLATE	PIATTELLO VALVOLA	B-G	6				
21*		VALVE SPRING	MOLLA VALVOLA	B-G	6				
22*		VALVE CAGE	GABBIA VALVOLA	B-G	6				
23	9.851-476.0	HEX SOCKET SCREW M8X20 STAINLESS STEEL	VITE TCEI M8X20 INOX A2 70		8				
24	9.850-626.0	CLOSED BEARING HOUSING	FLANGIA CHIUSA		1				
25*		"O" RING Ø1.78X60.05	"O" RING Ø1.78X60.05	F	2				
26	9.850-349.0	ROLLER BEARING 33205	CUSCINETTO A RULLI 33205		2				
27	9.850-175.0	SINGLE - ENDED SHAFT	ALBERO SEMPLICE P.D.F.		1	•			
	9.850-177.0	" " "	" " "		1		•		
	9.850-178.0	" " "	" " "		1			•	
	9.850-179.0	" " "	" " "		1				•
28	9.850-446.0	CRANKSHAFT KEY	CHIAVETTA		1				
29	9.851-286.0	OIL DIP STICK	TAPPO LIVELLO OLIO		1				
30*		CRANKSHAFT SEAL	ANELLO RADIALE	F	1	•	•	•	•
31	9.850-547.0	SHIM	DISTANZIALE		1				
32	9.850-625.0	BEARING HOUSING	FLANGIA		1				

Item Pos	Part Number Codice	Description	Descrizione	KIT	Q.TY Q.T A	NMT1220ES	NMT1520ES	NMT1820ES	NMT2120ES
33*		PLUNGER NUT STAINLESS STEEL	DADO PISTONE INOX	D-H	3				
34*		SPACER Ø 11.2/15X0.5 STAINLESS STEEL	ROSETTA Ø 1.2/15X0.5 INOX	D-H	3				
35*		PLUNGER 20MM	PISTONE Ø20	D	3				
36*		SPACER Ø 11.3/24X0.5 STAINLESS STEEL	ROSETTA Ø 1.3/24X0.5 INOX	D	3				
37*		"O" RING Ø1.78X7.66	"O" RING Ø1.78X7.66	D-H	3				
38*		TEFLON RING	ANELLO ANTIESTRUSIONE	D-H	3				
39*		PLUNGER ROD STAINLESS STEEL	ASTA PISTONE INOX	H	3				
40*		CONNECTING ROD	BIELLA	H	3				
41*		CONNECTING ROD PIN	SPINOTTO	H	3	•	•	•	•
42*		SPRING WASHER Ø6	ROSETTA ELASTICA Ø6	H	6				
43*		CONNECTING ROD SCREW M6X30	VITE M6X30	H	6				
44*		"O" RING Ø 2.62X126.67	"O" RING Ø 2.62X126.67	F	1				
45	9.850-388.0	CRANKCASE COVER	COPERCHIO POSTERIORE		1				
46*		"O" RING Ø1.78X14	"O" RING Ø1.78X14	F	1				
47*		BRASS PLUG G 3/8	TAPPO G 3/8	F	1				
48*		SIGHT GLASS, G3/4	SPIA LIVELLO OLIO G3/4	F	1				
49	9.851-475.0	COVER SCREW M6X16 STAINLESS STEEL	VITE M6X16 INOX A2 70		4				