

# NHDP – 200 BAR

Caratteristiche Tecniche

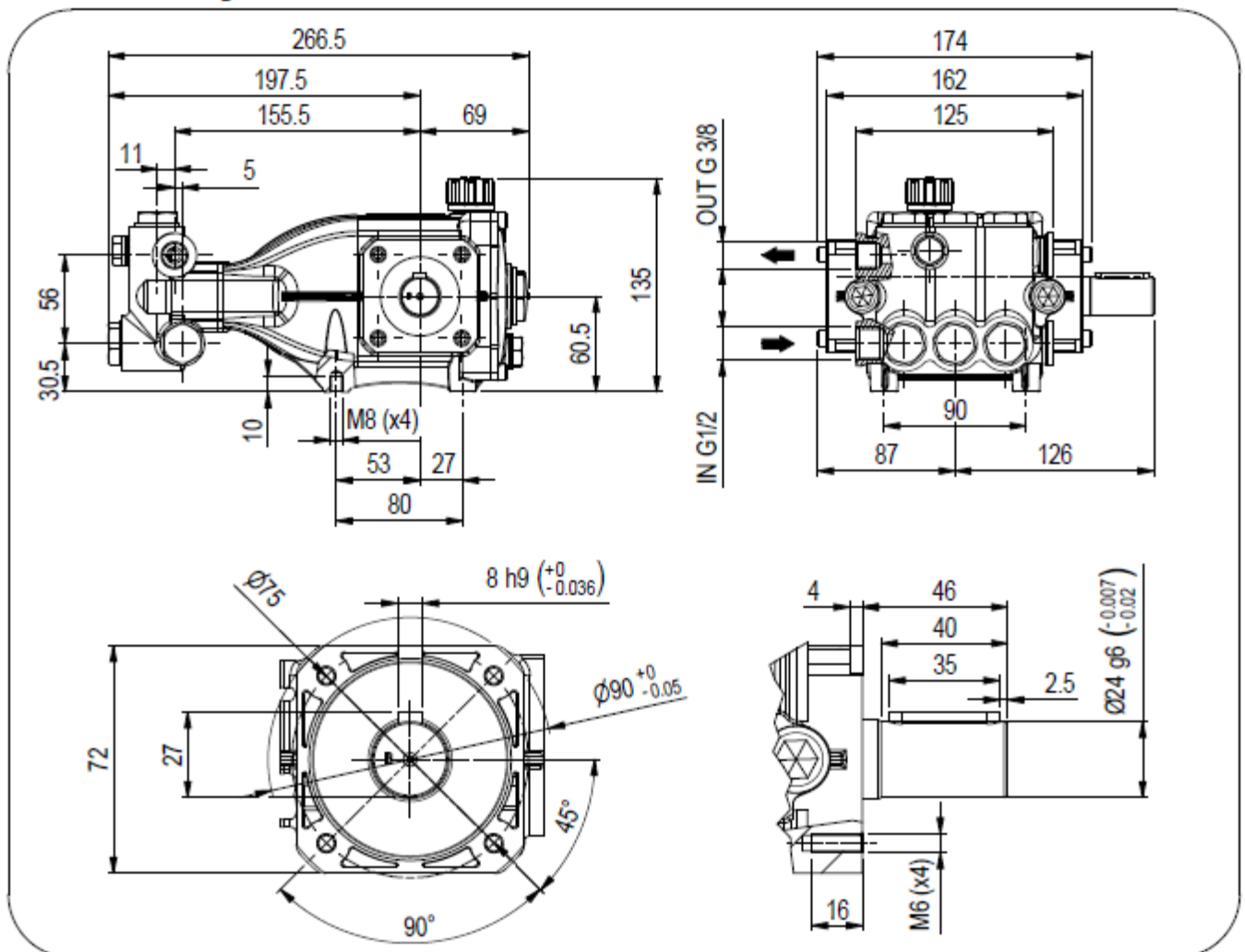
Albero maschio – Solid shaft

Technical Characteristics

| Pump<br>Pompa | Pressure<br>Pressione |      | Volume<br>Portata |       |       |       | RPM<br>giri/min |       | Power<br>Potenza |       |       |       |
|---------------|-----------------------|------|-------------------|-------|-------|-------|-----------------|-------|------------------|-------|-------|-------|
|               |                       |      | l/min             |       | GPM   |       |                 |       | HP               |       | kW    |       |
|               | bar                   | PSI  | 50 Hz             | 60 Hz | 50 Hz | 60 Hz | 50 Hz           | 60 Hz | 50 Hz            | 60 Hz | 50 Hz | 60 Hz |
| NHDP8520      | 200                   | 2900 | 8.5               | 10.1  | 2.2   | 2.7   | 1450            | 1740  | 4.3              | 5.1   | 3.2   | 3.9   |
| NHDP1020      | 200                   | 2900 | 10                | 12    | 2.6   | 3.2   | 1450            | 1740  | 4.9              | 6.3   | 3.7   | 4.7   |
| NHDP1120      | 200                   | 2900 | 11                | 13.2  | 2.9   | 3.5   | 1450            | 1740  | 5.7              | 6.8   | 4.3   | 5.1   |
| NHDP1220      | 200                   | 2900 | 12                | 14    | 3.1   | 3.7   | 1450            | 1740  | 6.1              | 7.2   | 4.5   | 5.3   |
| NHDP1320      | 200                   | 2900 | 13                | 15.5  | 3.4   | 4.0   | 1450            | 1740  | 6.7              | 7.2   | 4.5   | 5.3   |
| NHDP1420      | 200                   | 2900 | 14                | 17    | 3.7   | 4.5   | 1450            | 1740  | 7.2              | 8.5   | 5.3   | 6.3   |
| NHDP1520      | 200                   | 2900 | 15                | 18    | 4.0   | 4.7   | 1450            | 1740  | 7.7              | 9.2   | 5.7   | 6.8   |

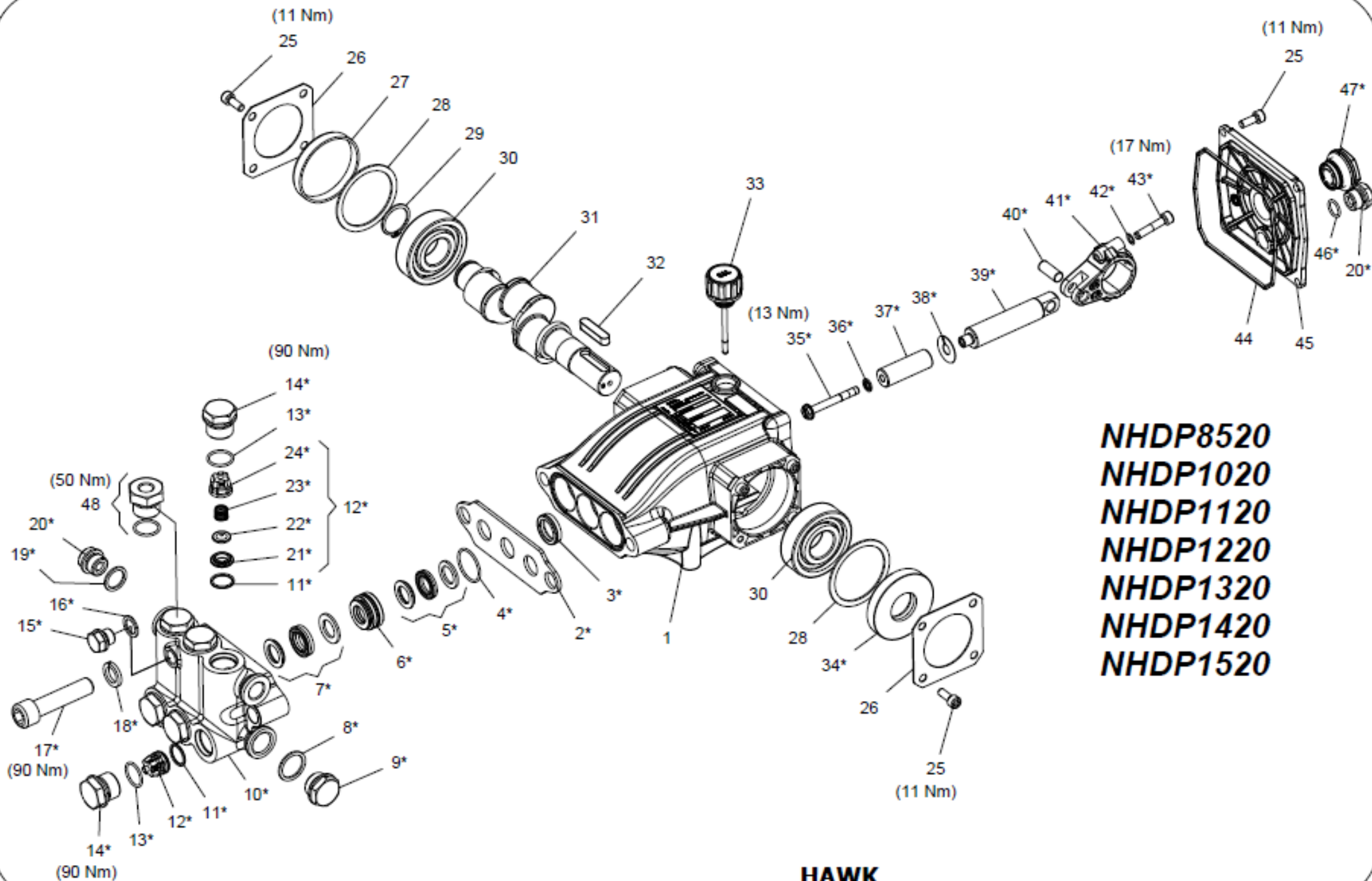
Dimensioni d'ingombro

Overall dimensions



Lubrificazione: Olio SAE 10W40  
Capacità: 0.4 Litri  
Peso pompa: 8.2 kg

Lubrication: SAE 10W40 Oil  
Capacity: 0.4 Litres  
Weight: 8.2 kg



**NHDP8520**  
**NHDP1020**  
**NHDP1120**  
**NHDP1220**  
**NHDP1320**  
**NHDP1420**  
**NHDP1520**

**HAWK**  
**Pompe Serie NHD PLUS 2020**  
**NHD PLUS Pumps 2020 Serie**

## NHDP 2020 SERIES

### ORDINARY MAINTENANCE KIT / KIT MANUTENZIONE ORDINARIA

| KIT | Item Pos.                      | Part Number Codice | Description              | Descrizione             | Q.TY by Pump<br>Q.TA per Pompa | NHDP8520R/L | NHDP1020R/L | NHDP1120R/L | NHDP1220R/L | NHDP1320R/L | NHDP1420R/L | NHDP1520R/L |
|-----|--------------------------------|--------------------|--------------------------|-------------------------|--------------------------------|-------------|-------------|-------------|-------------|-------------|-------------|-------------|
|     |                                |                    |                          |                         |                                |             |             |             |             |             |             |             |
| A   | 4 - 5 - 6 - 8 - 17             | 1.905-736.0        | PLUNGER SEALS DIA. 16 mm | GUARNIZIONI PISTONE Ø16 | 1                              |             |             |             |             |             |             |             |
| B   | 11 - 12 (21 22 - 23 - 24) - 13 | 1.905-617.0        | COMPLETE VALVE           | VALVOLA COMPLETA        | 1                              | •           | •           | •           | •           | •           | •           | •           |

### EXTRAORDINARY MAINTENANCE KIT / KIT MANUTENZIONE STRAORDINARIA

| KIT | Item Pos.   | Part Number Codice | Description                       | Descrizione                            | Q.TY by Pump<br>Q.TA per Pompa | NHDP8520R/L | NHDP1020R/L | NHDP1120R/L | NHDP1220R/L | NHDP1320R/L | NHDP1420R/L | NHDP1520R/L |
|-----|---|--------------------|-----------------------------------|--|--------------------------------|-------------|-------------|-------------|-------------|-------------|-------------|-------------|
|     |   |                    |                                   |  |                                |             |             |             |             |             |             |             |
| C   | 4- 5- 6- 7 - 8 - 17   | 1.904-737.0        | COMPLETE SEALS PACKING DIA. 16 mm | PACCO COMPLETO GUARNIZIONI PISTONE Ø16 | 1                              |             |             |             |             |             |             |             |
| D   | 35 - 36- 37- 38   | 1.099-738.0        | PLUNGER DIA. 16 mm                | PISTONE Ø16                            | 3                              |             |             |             |             |             |             |             |
| E   | 3   | 1.099-740.0        | PLUNGER OIL SEALS                 | ANELLI TENUTA OLIO ASTA                | 1                              |             |             |             |             |             |             |             |
| F   | 20- 27- 34 44- 46- 47   | 1.905-624.0        | KIT CRANKCASE SEALS               | KIT TENUTE CARTER                      | 1                              |             |             |             |             |             |             |             |
| G   | 4- 5- 6 7- 8- 9- 10 11- 12 (21 22 - 23 - 24) - 13 - 14 - 15 - 16 - 17 - 18 - 19- 20 | 1.904-738.0        | COMPLETE MANIFOLD                 | TESTATA COMPLETA                       | 1                              | •           | •           | •           | •           | •           | •           | •           |
| H   | 39 - 40- 41- 42 - 43  | 1.905-742.0        | CONNECTING ROD PLUNGER ROD ASSY   | PREMONTATO ASTA-BIELLA PISTONE         | 3                              |             |             |             |             |             |             |             |
| I   | 13- 14  | 1.904-249.0        | VALVE PLUG ASSY                   | PREMONTATO TAPPO VAM                   | 6                              |             |             |             |             |             |             |             |

“Q.TY by Pump” => Necessary quantity to repair one pump  
 “Q.TA’ per Pompa” => Quantità necessaria per riparare una pompa

### OPTIONAL

| Item Pos. | Part Number Codice | Description              | Descrizione             | Q.TY by Pump<br>Q.TÀ per Pompa | NHDP8520R/L | NHDP1020R/L | NHDP1120R/L | NHDP1220R/L | NHDP1320R/L | NHDP1420R/L | NHDP1520R/L |
|-----------|--------------------|--------------------------|-------------------------|--------------------------------|-------------|-------------|-------------|-------------|-------------|-------------|-------------|
|           |                    |                          |                         |                                |             |             |             |             |             |             |             |
| 48        | 9.853-424.0        | THREADED BRASS PLUG G1/4 | PREMONTATO TAPPO FORATO | 1                              | •           | •           | •           | •           | •           | •           | •           |

### TOOL KIT

| Part Number Codice | Description            | Descrizione                        | Q.TY by Pump<br>Q.TÀ per Pompa | NHDP8520R/L | NHDP1020R/L | NHDP1120R/L | NHDP1220R/L | NHDP1320R/L | NHDP1420R/L | NHDP1520R/L |
|--------------------|------------------------|------------------------------------|--------------------------------|-------------|-------------|-------------|-------------|-------------|-------------|-------------|
|                    |                        |                                    |                                |             |             |             |             |             |             |             |
| 1.099-668.0        | TOOL-KIT               | TOOL-KIT                           | 1                              |             |             |             |             |             |             |             |
| 1.905-591.0        | TOOL-KIT EXTRAORDINARY | TOOL-KIT MANUTENZIONE STRAORINARIA | 1                              | •           | •           | •           | •           | •           | •           | •           |

### IMPORTANT

### IMPORTANTE

\* Part available **ONLY** in kit  
Disponibile **SOLO** in kit

(...) Parts pre-assembled  
Parti pre-assemblate

### PARTS LIST LISTA PARTI

| Item Pos | Part Number Codice | Description                    | Descrizione                           | KIT   | Q.TY<br>Q.TÀ | NHDP8520R/L | NHDP1020R/L | NHDP1120R/L | NHDP1220R/L | NHDP1320R/L | NHDP1420R/L | NHDP1520R/L |
|----------|--------------------|--------------------------------|---------------------------------------|-------|--------------|-------------|-------------|-------------|-------------|-------------|-------------|-------------|
| 1        | 9.850-369.0        | CRANKCASE                      | CARTER                                |       | 1            |             |             |             |             |             |             |             |
| 2*       | 9.853-555.0        | NHD PLUS CYLINDERHEAD SPACER   | DISTANZIALE TESTATA NHD PLUS          |       | 1            |             |             |             |             |             |             |             |
| 3*       |                    | PLUNGER OIL SEAL               | ANELLO RADIALE                        | E     | 3            |             |             |             |             |             |             |             |
| 4*       |                    | "O" RING Ø1.78X26.7            | "O" RING Ø1.78X26.7                   | A-C-G | 3            |             |             |             |             |             |             |             |
| 5*       |                    | SEALING RING Ø16X24X8 "U" HT   | ANELLO TENUTA PIST. Ø16X24X8 "U" HT   | A-C-G | 3            |             |             |             |             |             |             |             |
| 6*       |                    | PRESSURE RING DIA. 16 MM       | PRESSORE "U" Ø16                      | C-G   | 3            |             |             |             |             |             |             |             |
| 7*       |                    | SEALING RING Ø16X26X9,5 "U" HT | ANELLO TENUTA PIST. Ø16X26X9,5 "U" HT | A-C-G | 3            |             |             |             |             |             |             |             |
| 8*       |                    | COPPER WASHER G1/2             | GUARNIZIONE RAME G1/2                 | G     | 1            |             |             |             |             |             |             |             |
| 9*       |                    | BRASS PLUG G1/2                | TAPPO OTTONE G1/2                     | G     | 1            |             |             |             |             |             |             |             |
| 10*      |                    | CYLINDERHEAD                   | TESTATA NHD PLUS OT58                 | G     | 1            |             |             |             |             |             |             |             |
| 11*      |                    | "O" RING Ø1.78X15.6            | "O" RING Ø1.78X15.6                   | B-G   | 6            |             |             |             |             |             |             |             |
| 12*      |                    | VALVE ASSEMBLY                 | VALVOLA PREMONTATA                    | B-G   | 6            |             |             |             |             |             |             |             |
| 13*      |                    | "O" RING Ø1,78X18.77           | "O" RING Ø1.78X18.77                  | B-G-I | 6            |             |             |             |             |             |             |             |
| 14*      |                    | VALVE PLUG                     | TAPPO VALVOLA                         | G-I   | 6            |             |             |             |             |             |             |             |
| 15*      |                    | BRASS PLUG G1/4                | TAPPO OTTONE G1/4                     | G     | 1            | •           | •           | •           | •           | •           | •           | •           |
| 16*      |                    | COPPER WASHER G1/4             | GUARNIZIONE RAME G1/4                 | G     | 1            |             |             |             |             |             |             |             |
| 17*      |                    | MANIFOLD STUD BOLT M14X60      | VITE TCEI M14X60                      | A-C-G | 2            |             |             |             |             |             |             |             |
| 18*      |                    | LOCK-WASHER                    | ROSETTA ELASTICA Ø14                  | G     | 2            |             |             |             |             |             |             |             |
| 19*      |                    | COPPER WASHER G3/8             | GUARNIZIONE RAME G 3/8                | G     | 1            |             |             |             |             |             |             |             |
| 20*      |                    | BRASS PLUG G 3/8               | TAPPO OTTONE G 3/8                    | F-G   | 2            |             |             |             |             |             |             |             |
| 21*      |                    | VALVE SEAT                     | SEDE VALVOLA                          | B-G   | 6            |             |             |             |             |             |             |             |
| 22*      |                    | VALVE PLATE                    | PIATTELLO VALVOLA                     | B-G   | 6            |             |             |             |             |             |             |             |
| 23*      |                    | VALVE SPRING                   | MOLLA VALVOLA                         | B-G   | 6            |             |             |             |             |             |             |             |
| 24*      |                    | VALVE CAGE                     | GABBIA VALVOLA                        | B-G   | 6            |             |             |             |             |             |             |             |
| 25       | 9.851-474.0        | SCREW M6X16                    | VITE TCEI M6X16                       |       | 12           |             |             |             |             |             |             |             |
| 26       | 9.850-379.0        | BEARING COVER                  | COPERCHIO CUSCINETTO                  |       | 2            |             |             |             |             |             |             |             |
| 27*      |                    | BEARING SEAL                   | CAPPELLOTTO CUSCINETTO                | F     | 1            |             |             |             |             |             |             |             |
| 28       | 9.850-554.0        | CRANKSHAFT SEAL SPACER         | DISTANZIALE PARAOLIO ALBERO           |       | 2            |             |             |             |             |             |             |             |
| 29       | 9.851-198.0        | SNAP RING DIA. 25 MM           | ANELLO Ø25                            |       | 1            |             |             |             |             |             |             |             |
| 30       | 9.850-460.0        | BALL BEARING                   | CUSCINETTO A SFERE                    |       | 2            |             |             |             |             |             |             |             |
| 31       | 9.850-220.0        | SINGLE-ENDED SHAFT             | ALBERO SEMPLICE P.D.F                 |       | 1            |             |             |             |             |             |             | •           |
|          | 9.850-224.0        | " " "                          | " " "                                 |       | 1            |             |             |             |             |             |             | •           |
|          | 9.850-225.0        | " " "                          | " " "                                 |       | 1            |             |             | •           |             |             |             |             |
|          | 9.850-226.0        | " " "                          | " " "                                 |       | 1            | •           |             |             |             |             |             |             |
|          | 9.850-227.0        | " " "                          | " " "                                 |       | 1            |             | •           |             |             |             |             |             |
|          | 9.851-956.0        | " " "                          | " " "                                 |       | 1            |             |             |             | •           |             |             |             |
|          | 9.850-228.0        | " " "                          | " " "                                 |       | 1            |             |             |             |             | •           |             |             |

| Item Pos | Part Number Codice | Description                      | Descrizione                      | KIT | Q. TY Q. TÀ | NHDP8520R/L | NHDP1020R/L | NHDP1120R/L | NHDP1220R/L | NHDP1320R/L | NHDP1420R/L | NHDP1520R/L |
|----------|--------------------|----------------------------------|----------------------------------|-----|-------------|-------------|-------------|-------------|-------------|-------------|-------------|-------------|
| 32       | 9.850-446.0        | CRANKSHAFT KEY                   | CHIAVETTA                        |     | 1           |             |             |             |             |             |             |             |
| 33       | 9.851-286.0        | OIL DIP STICK                    | TAPPO LIVELLO OLIO               |     | 1           |             |             |             |             |             |             |             |
| 34*      |                    | CRANKSHAFT SEAL                  | ANELLO RADIALE                   | F   | 1           |             |             |             |             |             |             |             |
| 35*      |                    | PLUNGER BOLT                     | VITE PISTONE                     | D   | 3           |             |             |             |             |             |             |             |
| 36*      |                    | BONDED SEAL - Ø6,7X11X1 AISI 304 | BONDED SEAL - Ø6,7X11X1 AISI 304 | D   | 3           |             |             |             |             |             |             |             |
| 37*      |                    | PLUNGER DIA. 16 MM               | PISTONE Ø16                      | D   | 3           |             |             |             |             |             |             |             |
| 38*      |                    | COPPER SPACER                    | ROSETTA RAME                     | D   | 3           |             |             |             |             |             |             |             |
| 39*      |                    | PLUNGER ROD                      | ASTA PISTONE                     | H   | 3           |             |             |             |             |             |             |             |
| 40*      |                    | CONNECTING ROD PIN               | SPINOTTO                         | H   | 3           | •           |             | •           |             | •           |             | •           |
| 41*      |                    | CONNECTING ROD                   | BIELLA                           | H   | 3           |             |             |             |             |             |             |             |
| 42*      |                    | SPRING WASHER DIA. 6 MM          | ROSETTA SCHNORR Ø6               | H   | 6           |             |             |             |             |             |             |             |
| 43*      |                    | CONNECTING ROD SCREW             | VITE M6X30                       | H   | 6           |             |             |             |             |             |             |             |
| 44*      |                    | "O" RING Ø2.62X111.62            | "O" RING Ø2.62X111.62            | F   | 1           |             |             |             |             |             |             |             |
| 45       | 9.850-392.0        | CRANKCASE COVER                  | COPERCHIO POSTERIORE             |     | 1           |             |             |             |             |             |             |             |
| 46*      |                    | "O" RING Ø1.78X14                | "O" RING Ø1.78X14                | F   | 1           |             |             |             |             |             |             |             |
| 47*      |                    | SIGHT GLASS G3/4                 | SPIA LIVELLI OLIO G3/4           | F   | 1           |             |             |             |             |             |             |             |