



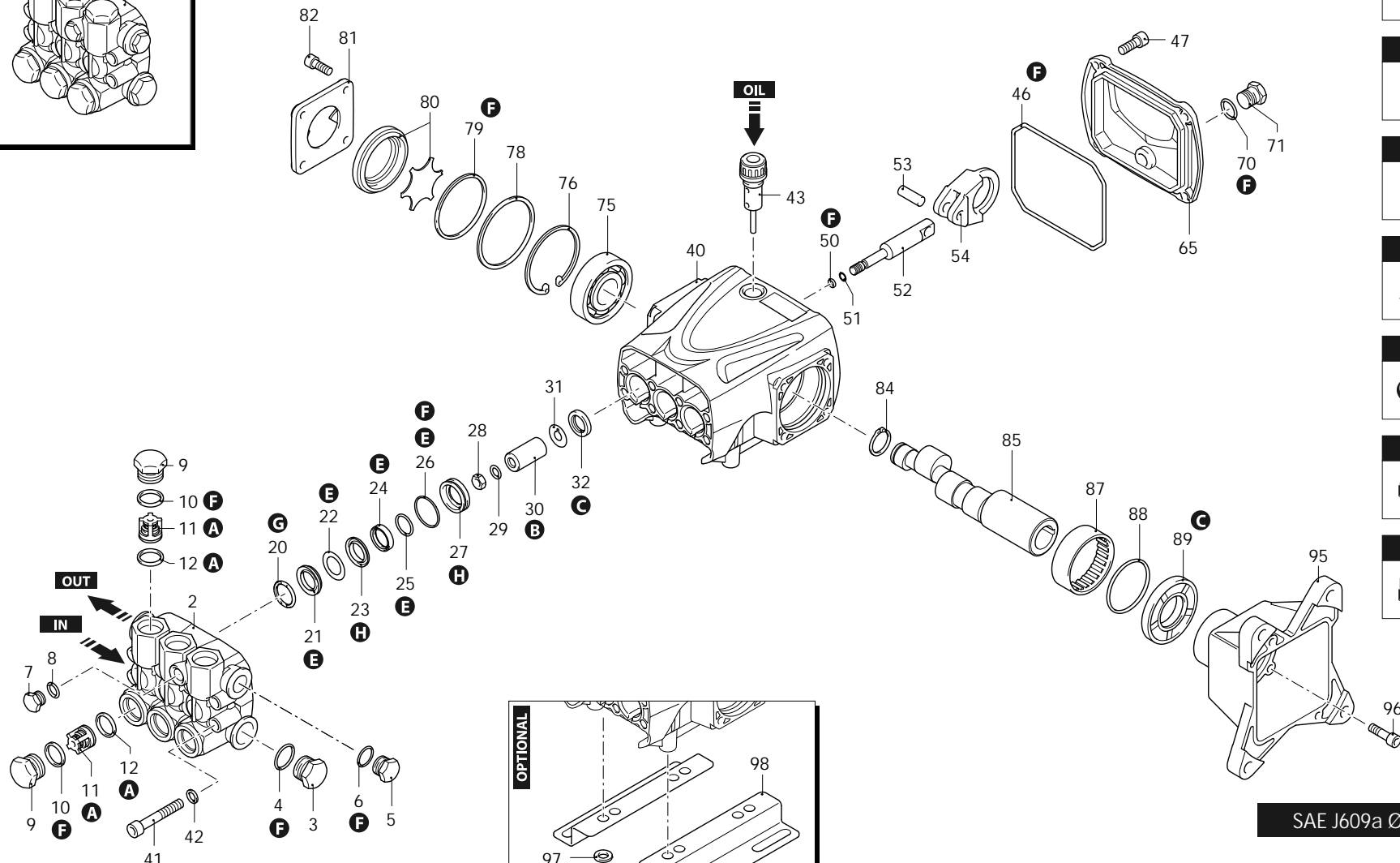
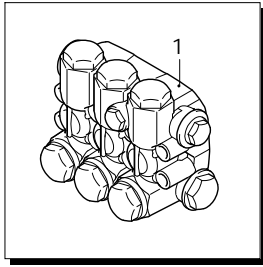
Series 322

RRV

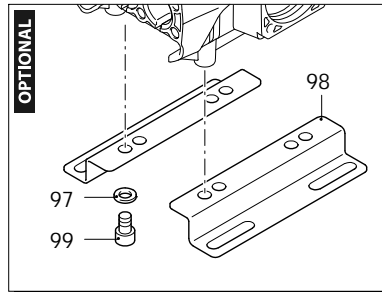
D

3400rpm

Ø 1"



- A**
- B**
- C**
- E**
- F**
- G**
- H**



SAE J609a Ø 1"

AR-1_000051_v01

08/06/2022



Series 322

RRV

D

3400rpm

ø 1"

P	Code	Description	Q	Note	Validity	P	Code	Description	Q	Note	Validity
1	3229203	Head assembly	1	Ø 15		71	880581	Plug	1	1/4" G brass	Screw with Loxeal 55-14 / C=15Nm
2	3220770	Head	1	nickel plated		75	1981210	Bearing	1		
3	960870	Plug	1	1/2" G nickel	Screw with Loxeal 55-14 / C=30Nm	76	200390	Ring	1	seeger Øi 62	
4	180101	O-ring	1	Ø 17,5x2	Lubricate with grease Molykote PG54	78	3220780	Ring	1	Ø 61,8x57,8x0,5	
5	1981180	Plug	1	3/8" G nickel	Screw with Loxeal 55-14 / C=20Nm	79	650560	O-ring	1	Ø 56,82x2,62	Lubricate with grease Molykote PG54
6	740290	O-ring	1	Ø 14x1,78	Lubricate with grease Molykote PG54	80	3229603	Oil level assembly	1		
7	1380690	Plug	1	1/4" G nickel	Screw with Loxeal 55-14 / C=15Nm	81	3200070	Support	1		
8	820510	O-ring	1	Ø 10,82x1,78		82	1200430	Screw	4	TCEI M6x16	Screw with Loxeal 55-14 / C=10Nm
9	960850	Plug	6			84	1260770	Ring	1	seeger Øe 25	
10	960162	O-ring	6	Ø 17,86x2,62	Lubricate with grease Molykote PG54	85	3220240	Shaft	1	5 marked	
11	889052	Complete valve	6			87	3220260	Bearing	1		
12	880830	O-ring	6	Ø 15,54x2,62		88	3220430	O-ring	1	Ø 56,87x1,78	Lubricate with grease Molykote PG54
20	2760220	Ring	3	support Ø 15		89	3220270	Ring	1	seal	
21	1342761	Water seal	3	Ø 15	Lubricate with grease Molykote PG54	95	3220250	Flange	1		
22	3200680	Ring	3	anti-extrusion		96	780060	Screw	4	TCEI M6x25	C=10,4Nm
23	3220150	Piston guide	3	front Ø 15		97	1322640	Washer	4		
24	3200690	Gasket	3	Ø 15	Lubricate with grease Molykote PG54	98	3200210	Foot	2		
25	3200700	Ring	3	anti-extrusion		99	850250	Screw	4	TCEI M8x12	C=24,5Nm
26	770260	O-ring	3	Ø 23,52x1,78		A	1828	Valve kit	1		
27	3220140	Piston guide	3	rear Ø 15		B	2739	Piston kit	1	Ø 15	
28	1260110	Nut	3	M8	Screw with Loxeal 55-14 / C=12Nm	C	42555	Oil seal kit	1		
29	1260100	Washer	3			E	42556	Water seal kit	1	Ø 15	
30	1780070	Piston	3	Ø 15	Lubricate with grease Molykote PG54	F	42550	Gasket kit	1		
31	1260091	Plate	3			G	2191	Support ring kit	1	Ø 15	
32	1260460	Oil seal	3			H	42557	Piston guide kit	1	Ø 15	
40	3220010	Pump body	1								
41	800860	Screw	8	TCEI M8x55							
42	1381850	Washer	8								
43	880130	Plug	1								
46	651540	O-ring	1	Ø 107,62x2,62							
47	3200220	Screw	4	TCEI 6x16	C=8Nm						
50	480480	O-ring	3	Ø 4,48x1,78							
51	1080550	Ring	3	anti-extrusion							
52	3220060	Piston	3	guide							
53	3220070	Pin	3								
54	3220560	Connecting-rod	3	bronze	Lubricate with grease Molykote G807						
65	3220030	Cover	1								
70	820510	O-ring	1	Ø 10,82x1,78							

Revision: 1

Oil type: SAE 15W40

Attachment:

Date: 08/06/2022

Oil quantity: 0,350 Kg

C=Tightening torque (Tolerance +0 ÷ -10%)

24935 - RRV 4G40 H D + FLANGE